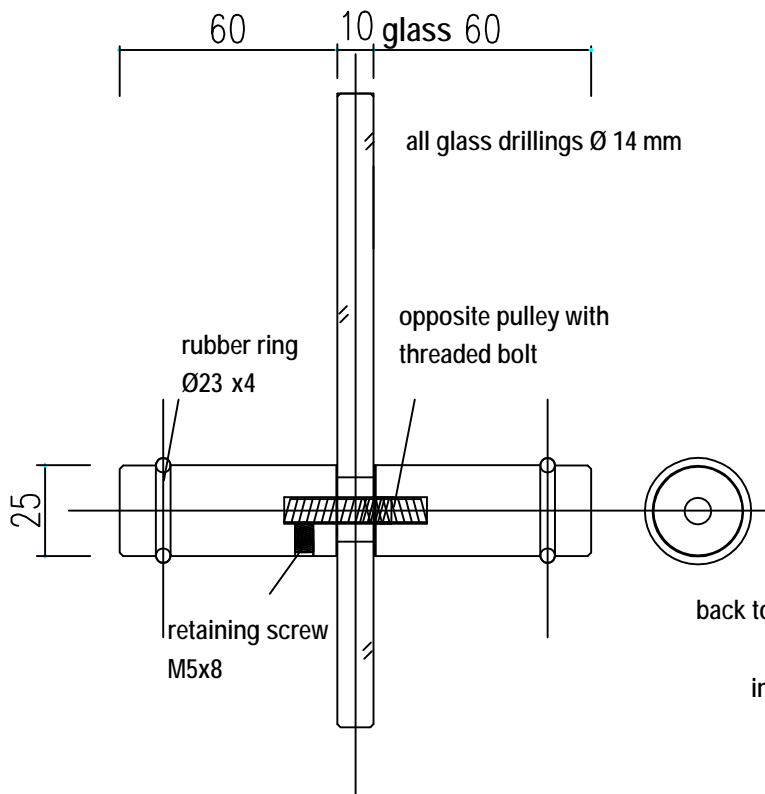


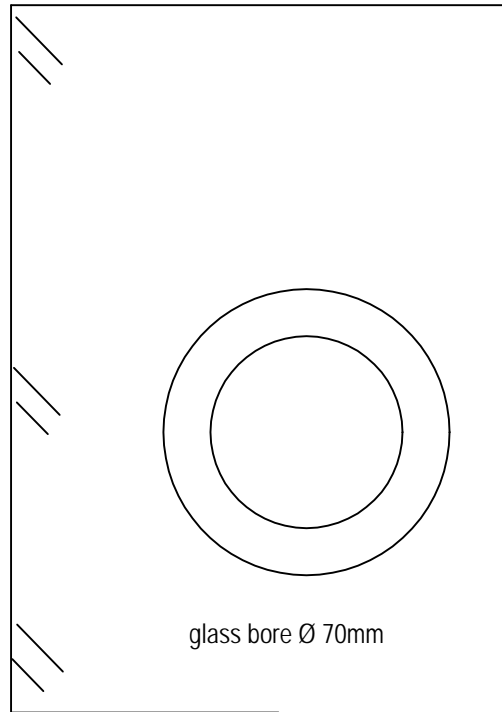
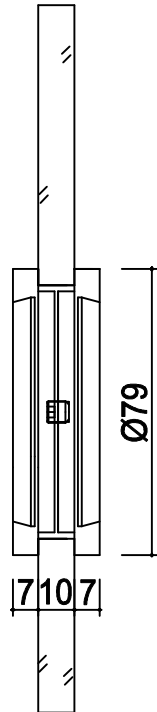
art. no. 9.80.01
 handle knob Ø25x60
 bolt through fixing 10 mm glass
 for wooden doors please
 indicate thickness of door leaf

or Ø25x35 art.no. 9.80.25

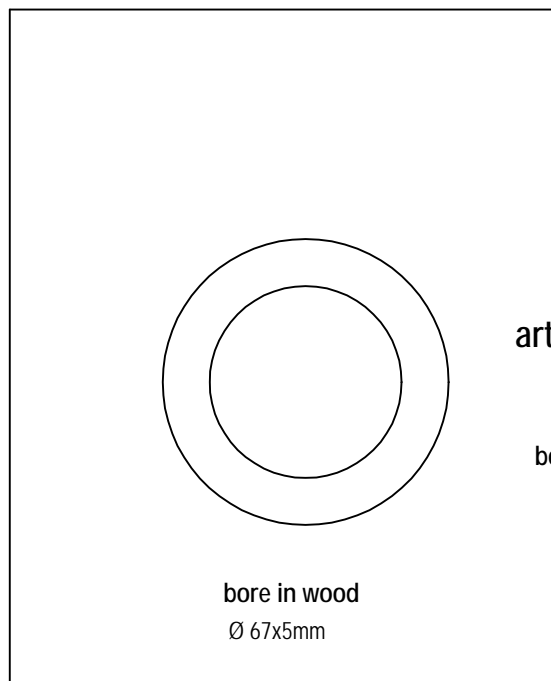
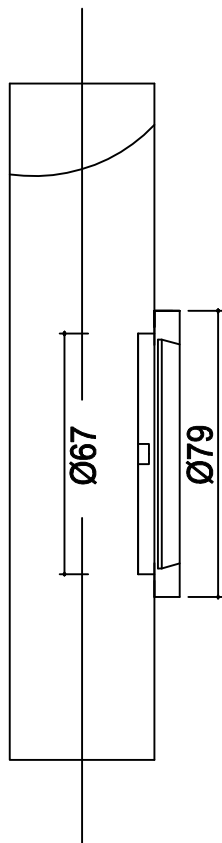


art. no. 9.80.02
 handle knob Ø25x60
 back to back fixing for 10 mm glass
 for wooden doors please
 indicate thickness of door leaf

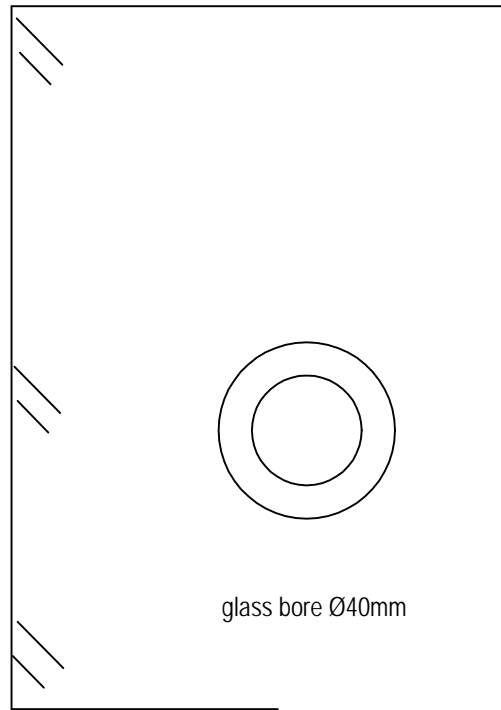
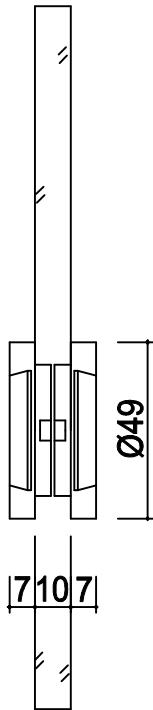
or Ø25x35 art.no. 9.80.26



art. no. 9.80.45
flush pull
glass door 8-12mm

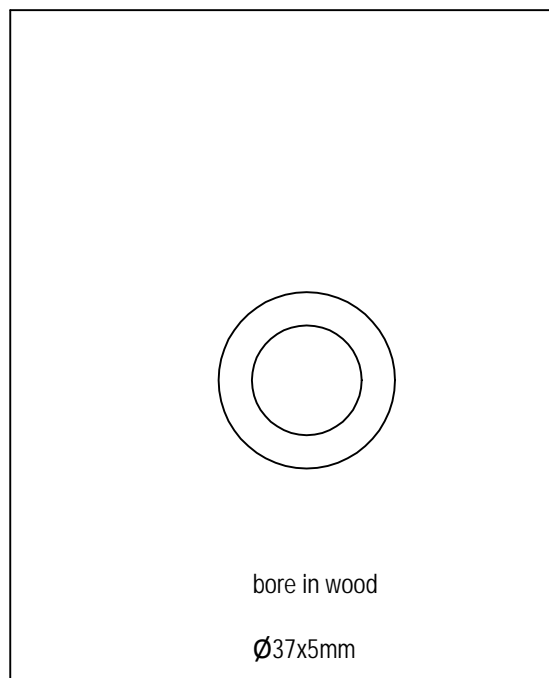
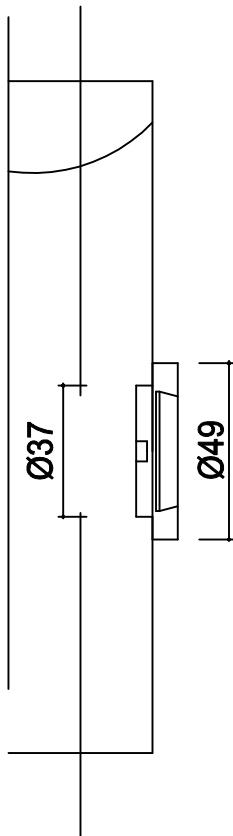


art. no. 9.80.46
flush pull
wooden door
bolt through fixing



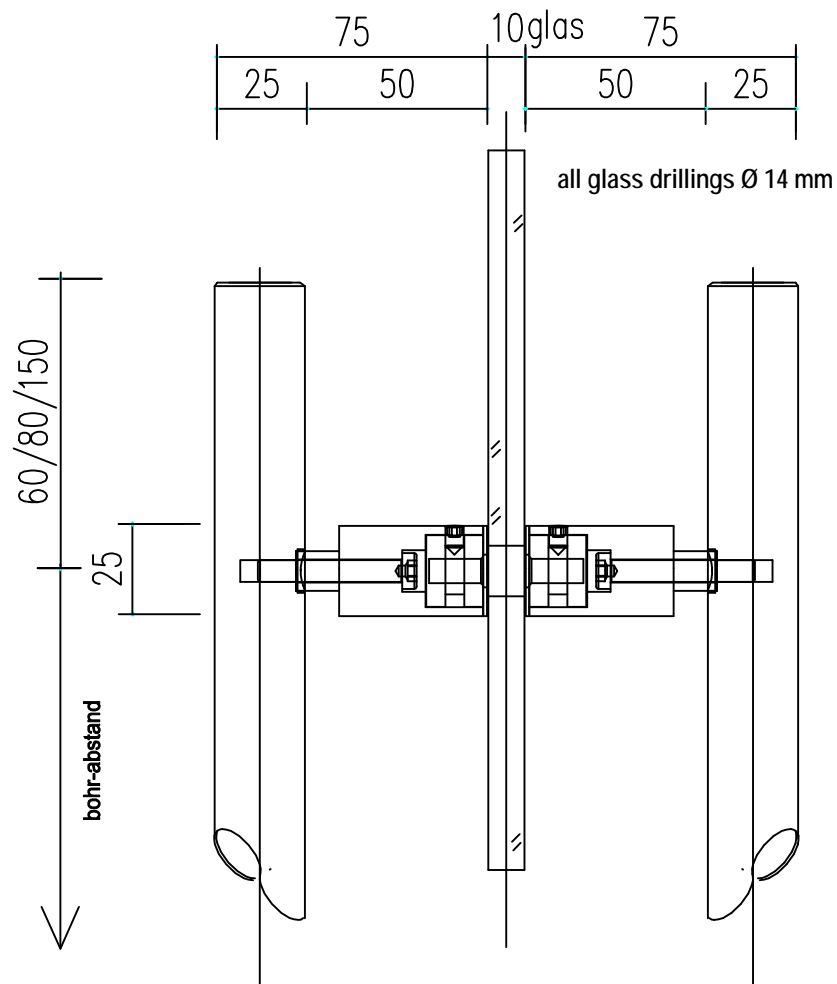
art. no. 9.80.47

flush pull
glass door
8-12mm



art. no. 9.80.48

flush pull
wooden door
bolt through fixing



art. no. 9.80...

pull handle

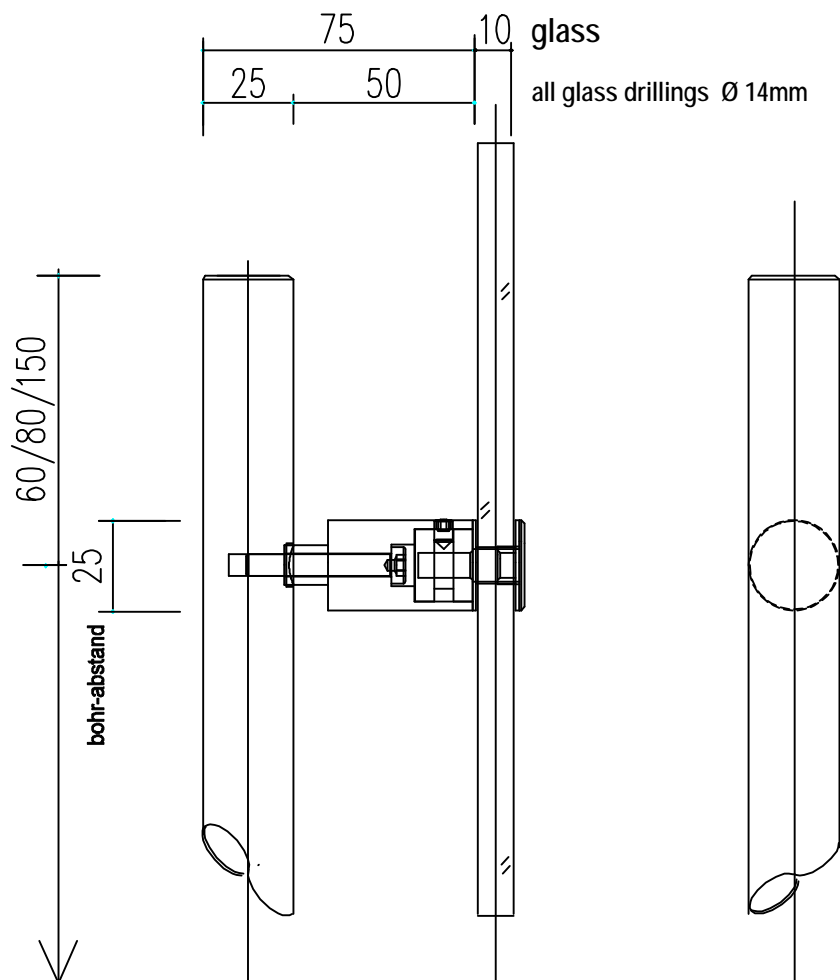
back to back fixing for 10 mm glass

for wooden doors please

indicate thickness of door leaf

pull handle versions

art.no.	9.80.51	– length	300 mm,	drilling	180 mm
	9.80.53	– length	500 mm,	drilling	340 mm
	9.80.55	– length	750 mm,	drilling	590 mm
	9.80.57	– length	1000 mm,	drilling	700 mm
	9.80.59	– length	1250 mm,	drilling	950 mm
	9.80.61	– length	1500 mm,	drilling	600+600 mm
	9.80.63	– length	1750 mm,	drilling	725+725 mm
	9.80.65	– length	2000 mm,	drilling	850+850 mm



art. no. 9.80...

pull handle

bolt through fixing

for 10 mm glass

for wooden doors please

indicate thickness of door leaf

pull handle versions

art.no.	9.80.50	– length	300 mm, drilling	180 mm
	9.80.52	– length	500 mm, drilling	340 mm
	9.80.54	– length	750 mm, drilling	590 mm
	9.80.56	– length	1000 mm, drilling	700 mm
	9.80.58	– length	1250 mm, drilling	950 mm
	9.80.60	– length	1500 mm, drilling	600+600 mm
	9.80.62	– length	1750 mm, drilling	725+725 mm
	9.80.64	– length	2000 mm, drilling	850+850 mm

