

mounting set for glass door

**art.no. 2.90.01**

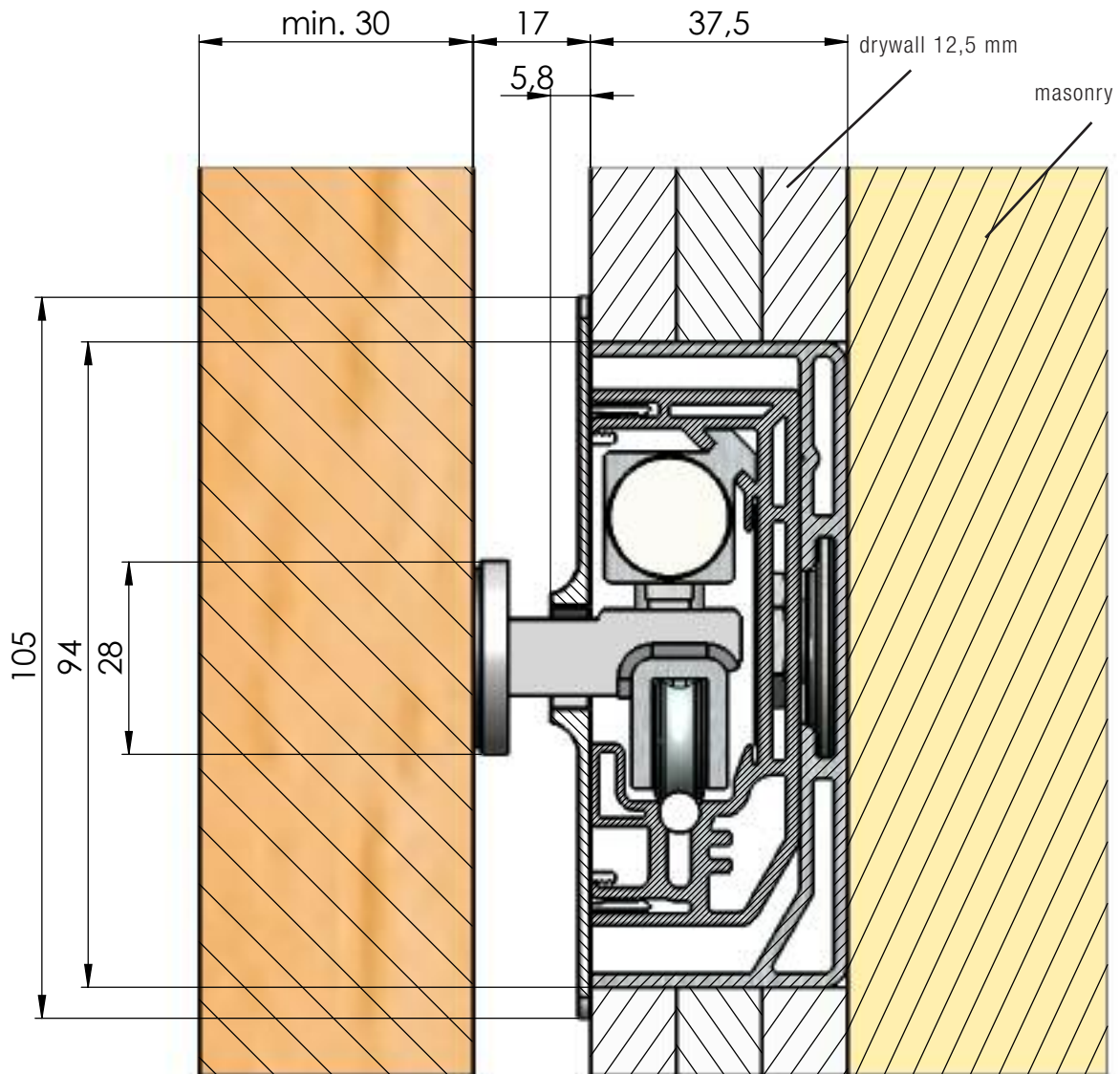
wall installation set complete EV1

**art.no. 2.90.02**

wall installation set complete EV6

**art.nr. 2.00.09**

mounting set for glass door 8-12mm



mounting set for wooden door

**art.no. 2.90.01**

wall installation set complete EV1

**art.no. 2.90.02**

wall installation set complete EV6

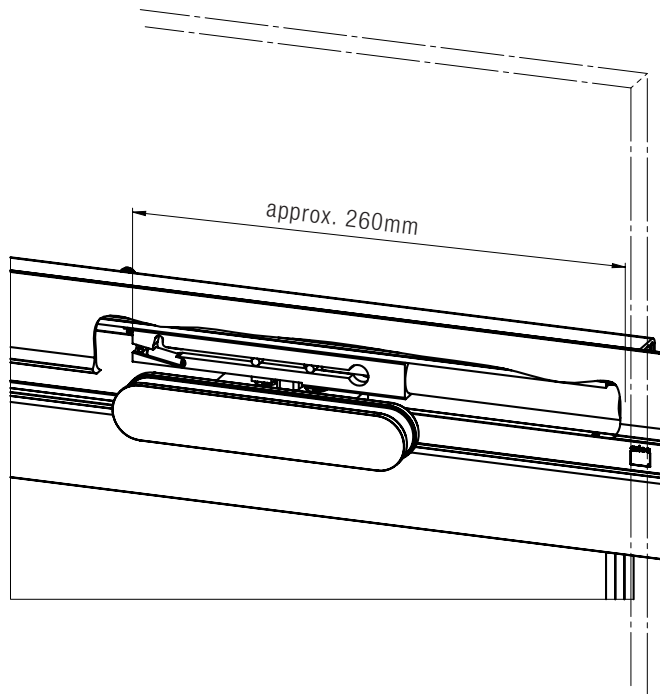
**art.no. 2.00.10**

mounting set for wooden door  $\geq$  30 mm

# technical drawings

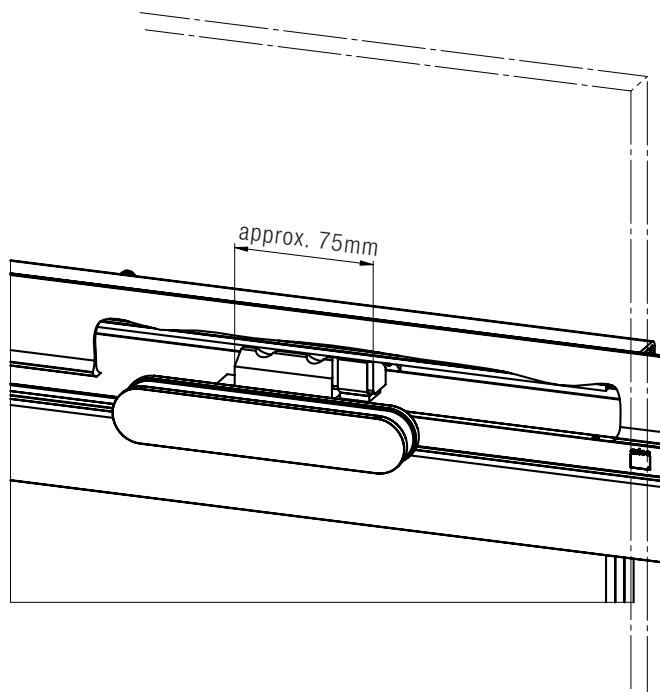
wall integrated sliding door system  
 astec il.10 - registered no. 20 2013 006 034.4 german patent office

14.09.2015



**art.no. 2.05.02**

il.10 set door cushioning



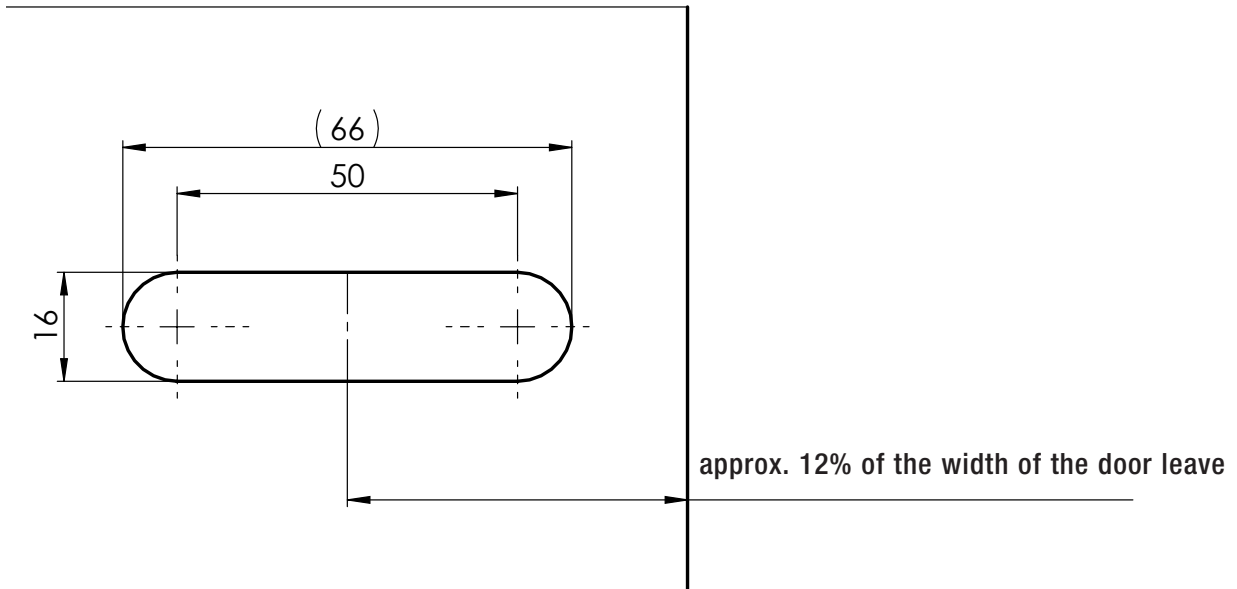
**art.no. 2.05.01**

il.10 set end stop

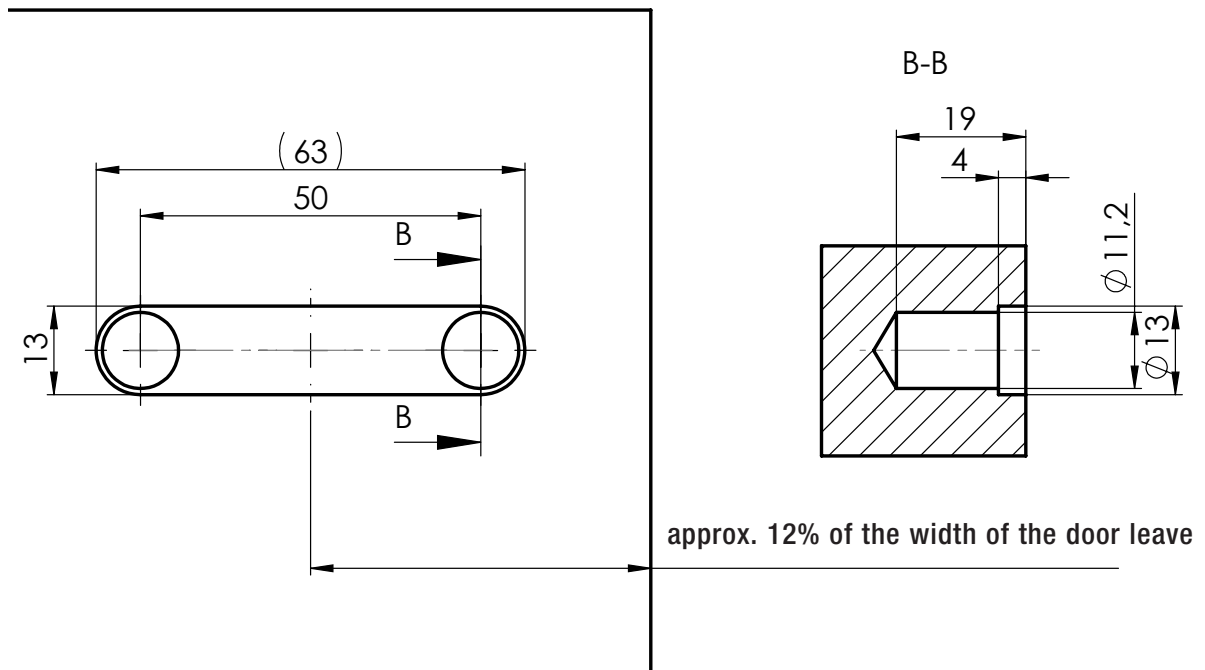
# technical drawings

wall integrated sliding door system  
 astec il.10 - registered no. 20 2013 006 034.4 german patent office

14.09.2015



handling of glass door leaf

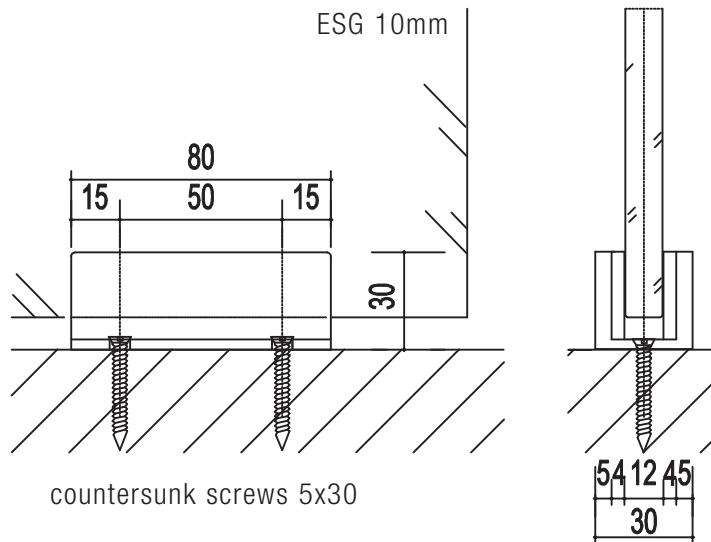


handling of wooden door leaf

# technical drawings

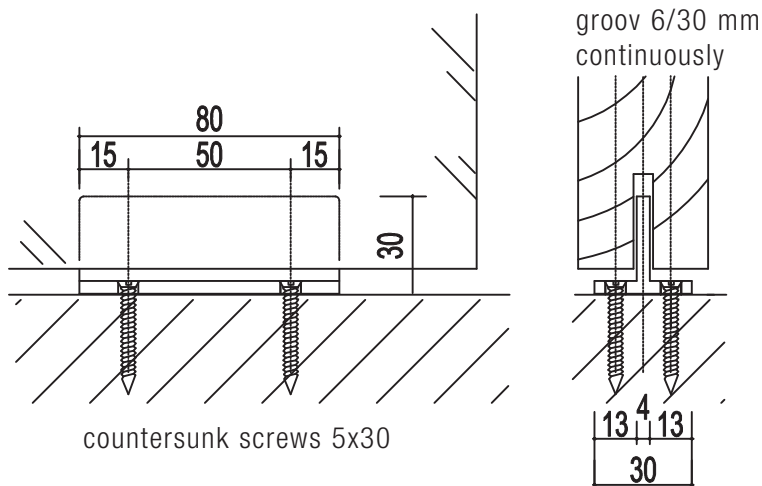
wall integrated sliding door system  
 astec il.10 - registered no. 20 2013 006 034.4 german patent office

14.09.2015



**art.no. 6.05.01**

floor guide for glass doors 80 mm



**art.no. 6.05.02**

floor guide for timber doors