

b.900

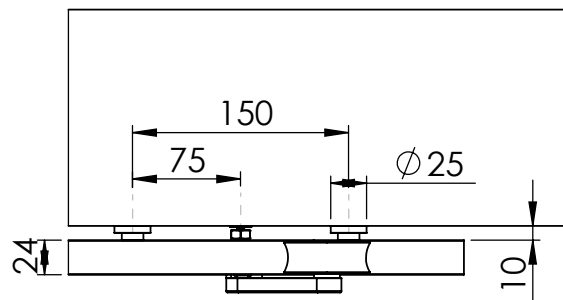
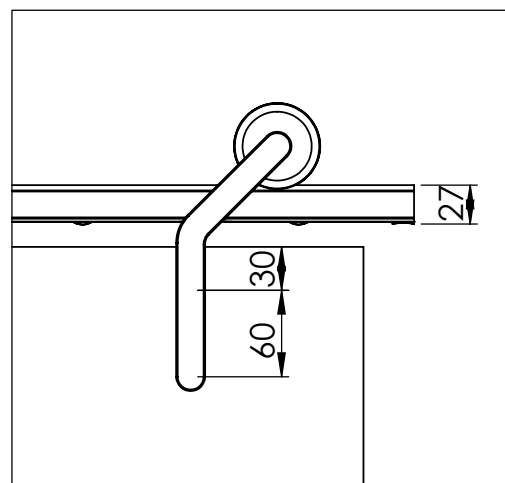
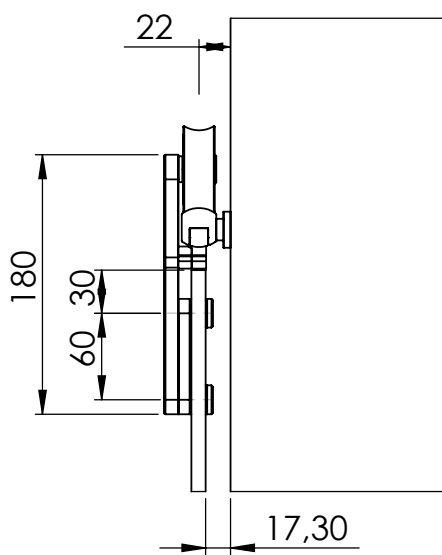
example of dimension
wall connection

technical drawings

stainless steel sliding door fitting with polyamid rollers
astec b.900

16.09.2015

glass drillings $\text{\O}12$ mm



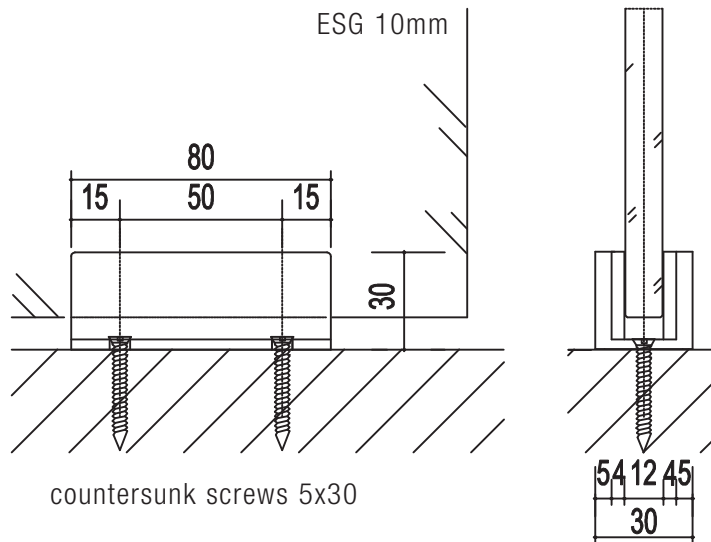
b.900

example of dimension
wall connection

technical drawings

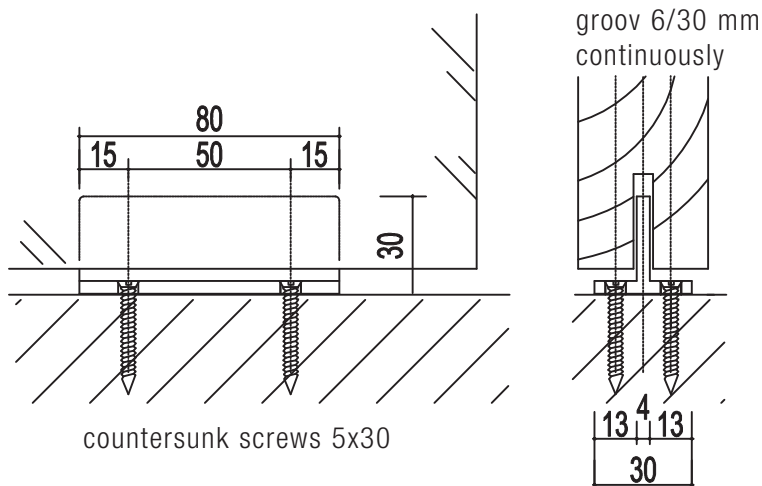
stainless steel sliding door fitting with polyamid rollers
astec b.900

16.09.2015



art.no. 6.05.01

floor guide for glass doors 80 mm



art.no. 6.05.02

floor guide for timber doors