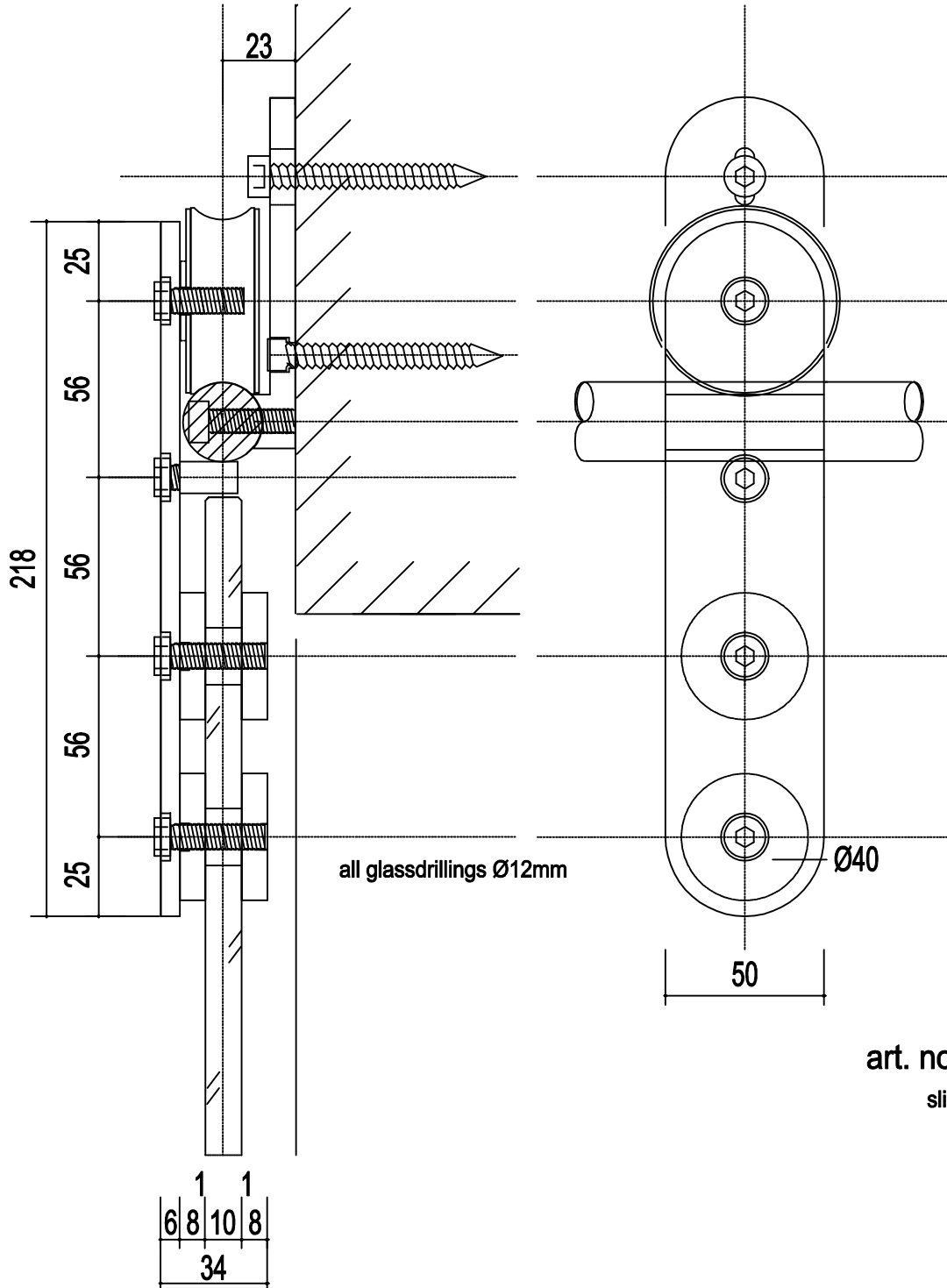


# technical drawings

stainless steel fitting for sliding doors with round supporting rod  
 astec b.600 - registered no. 498 08 428.0 german patent office

06.07.2015

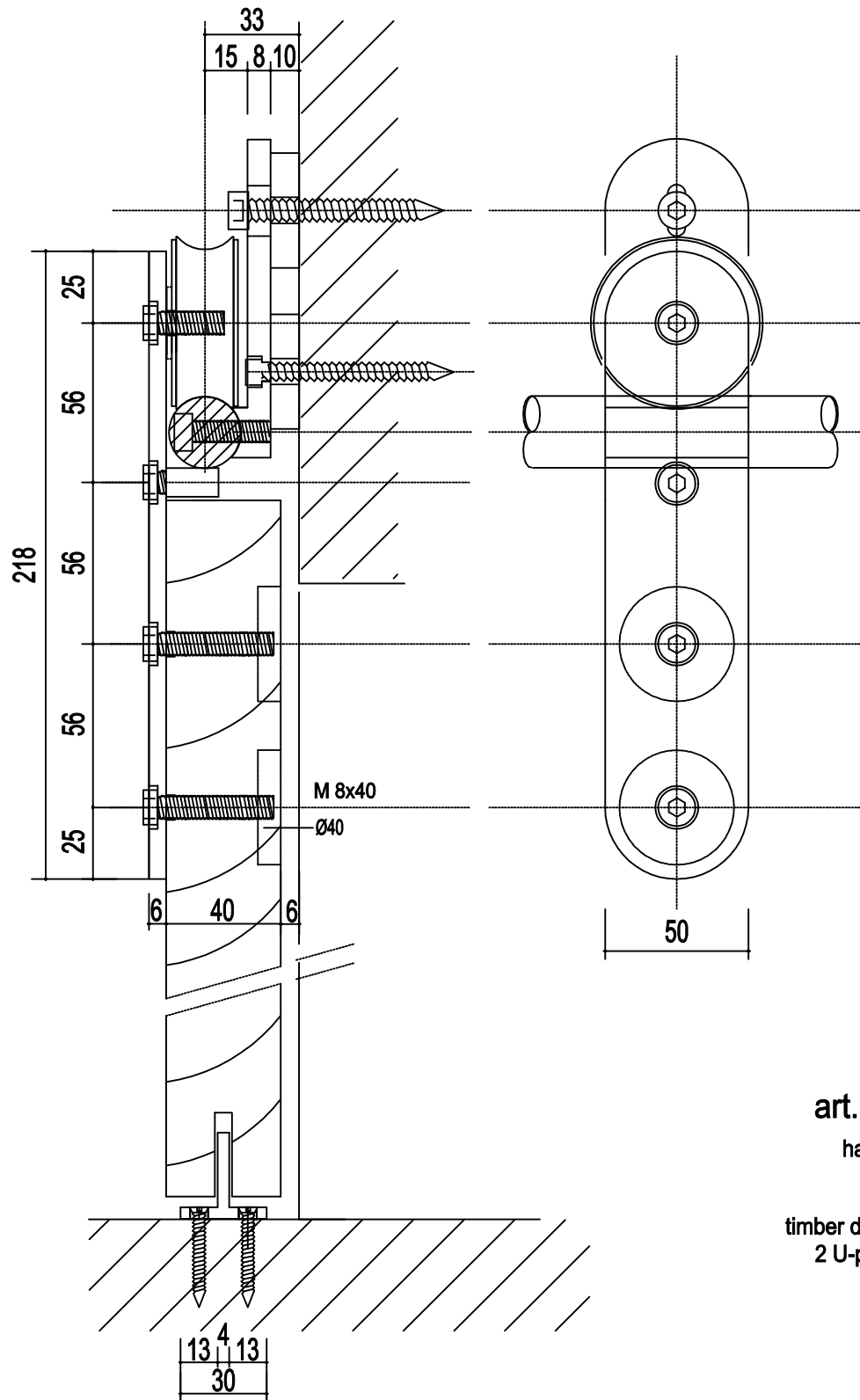


**art. no. 6.04.01**  
 slide fitting 600  
 glass

# technical drawings

stainless steel fitting for sliding doors with round supporting rod  
 astec b.600 - registered no. 498 08 428.0 german patent office

06.07.2015



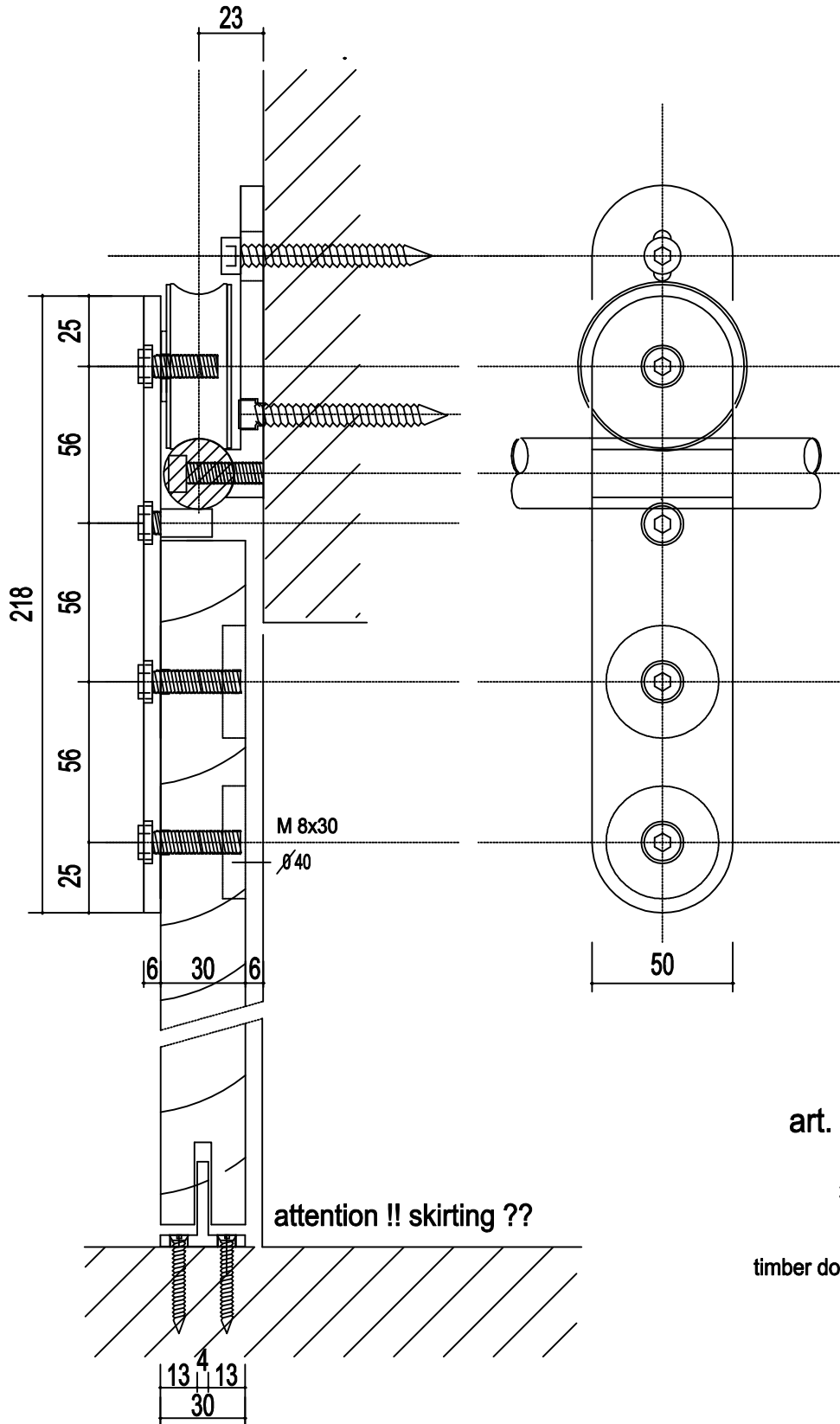
**art. no. 6.04.04**

hanger timber door  
 40 mm with flush  
 opposite pulleys  
 timber door without frame  
 2 U-plates per bracket  
 40 x 10mm

# technical drawings

stainless steel fitting for sliding doors with round supporting rod  
 astec b.600 - registered no. 498 08 428.0 german patent office

06.07.2015



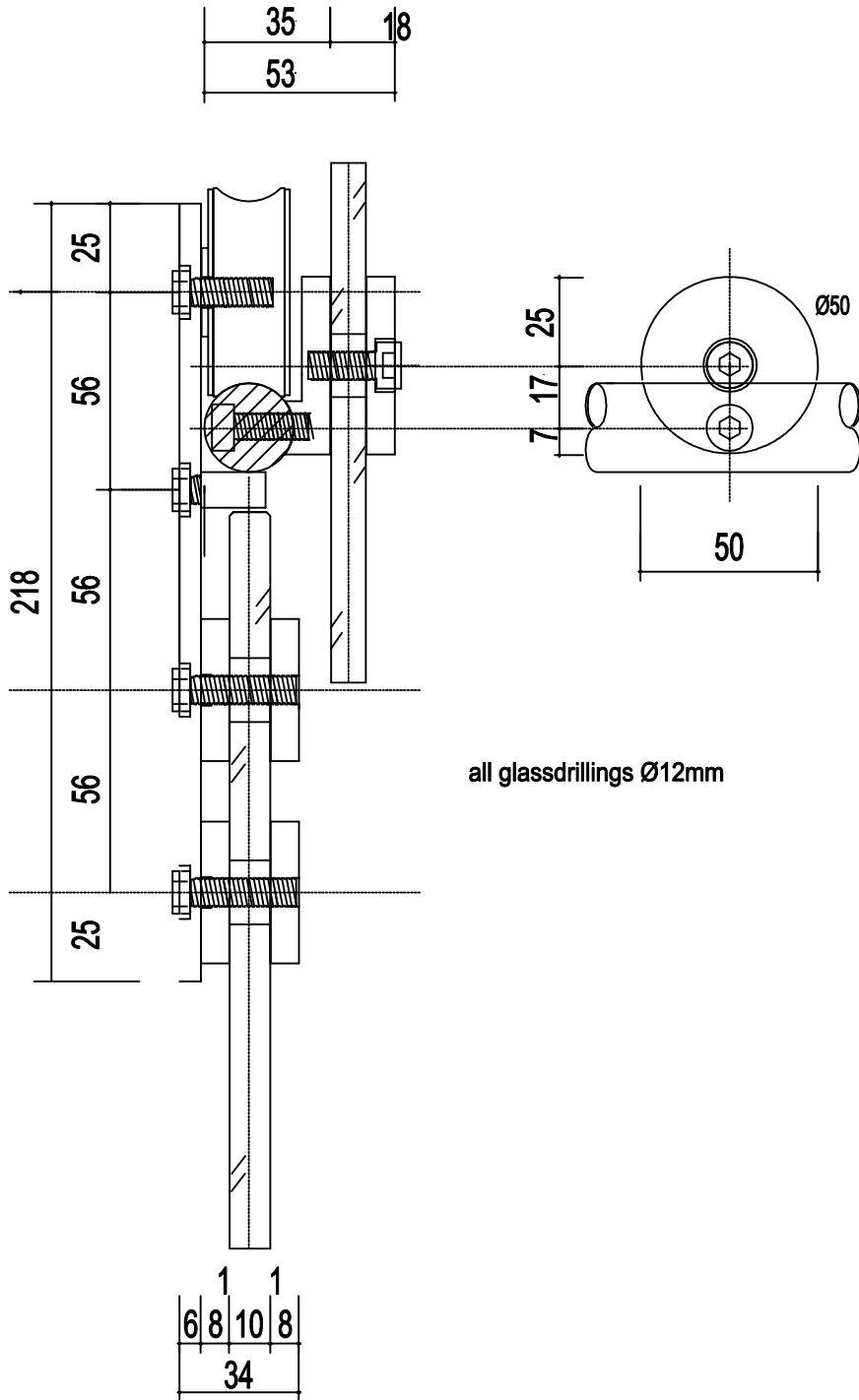
art. no. 6.04.04

hanger timber  
 30 mm with flush  
 opposite pulleys  
 gegenscheiben  
 timber door without frame

# technical drawings

stainless steel fitting for sliding doors with round supporting rod  
 astec b.600 - registered no. 498 08 428.0 german patent office

06.07.2015



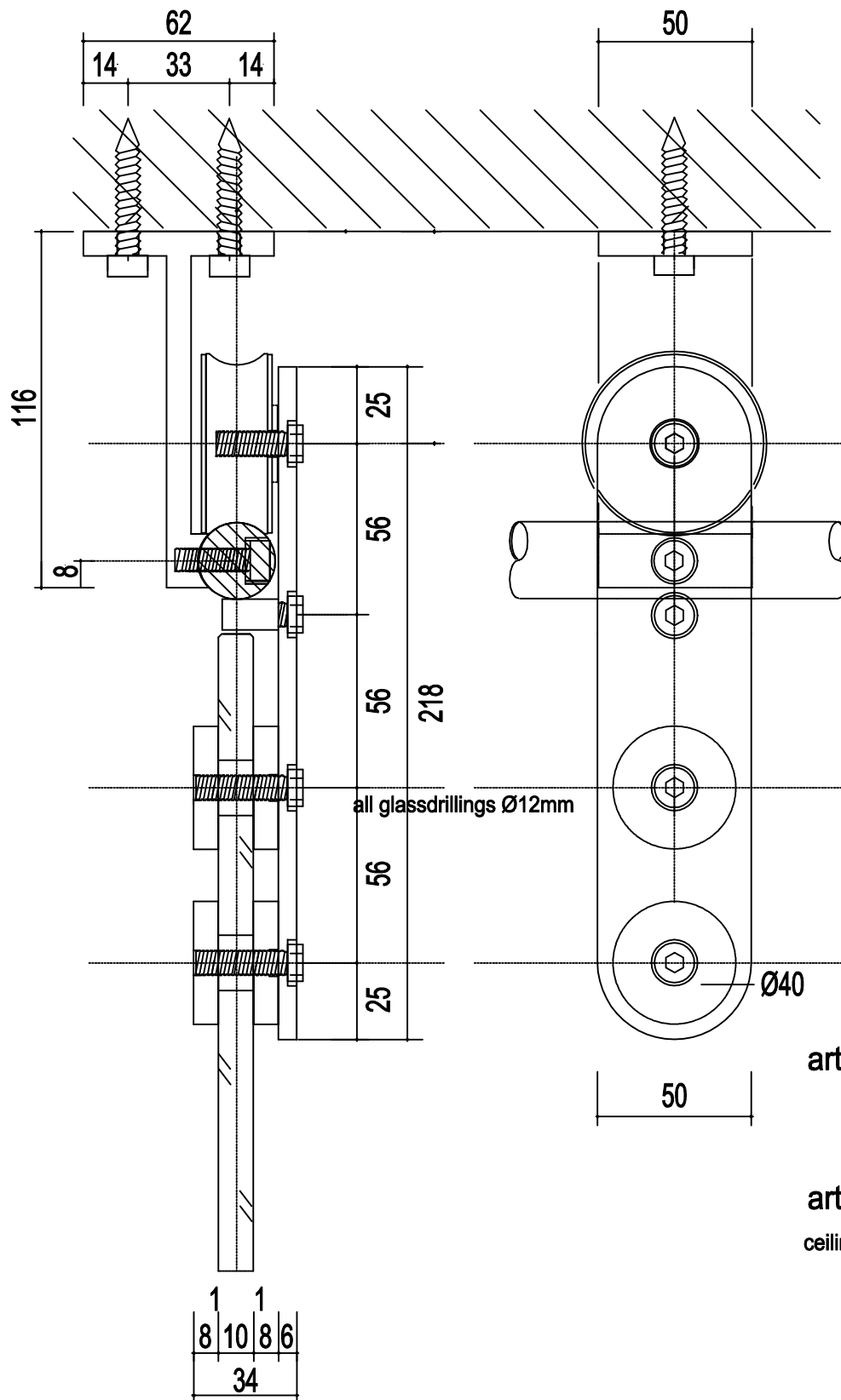
art. no. 6.04.01  
 hanger 600 glass

art. no. 6.01.04  
 glass bracket

# technical drawings

stainless steel fitting for sliding doors with round supporting rod  
 astec b.600 - registered no. 498 08 428.0 german patent office

06.07.2015



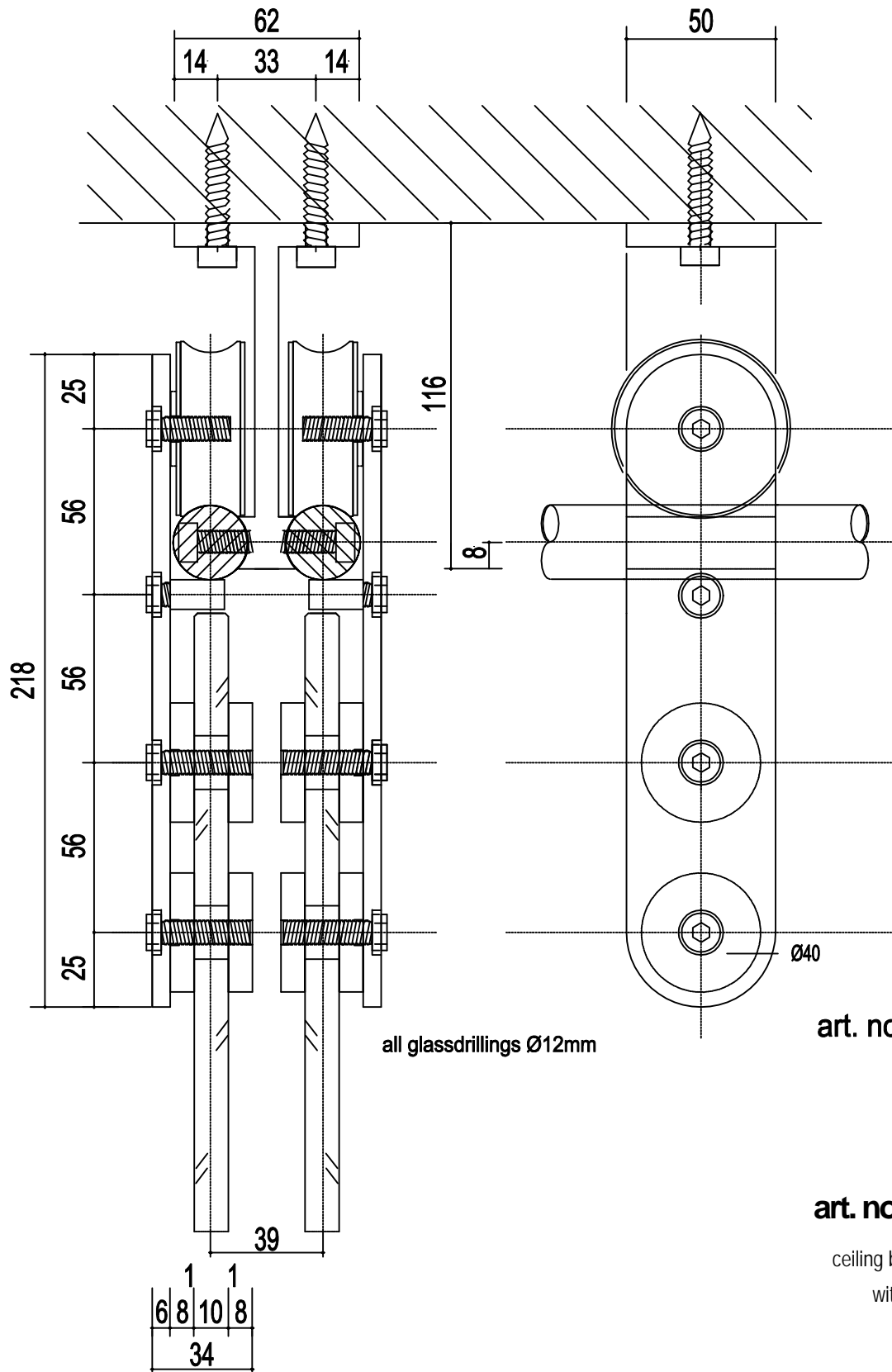
**art. no. 6.04.01**  
 hanger 600 glass

**art. no. 6.01.20**  
 ceiling bracket, 1-track  
 with saddle piece

# technical drawings

stainless steel fitting for sliding doors with round supporting rod  
 astec b.600 - registered no. 498 08 428.0 german patent office

06.07.2015



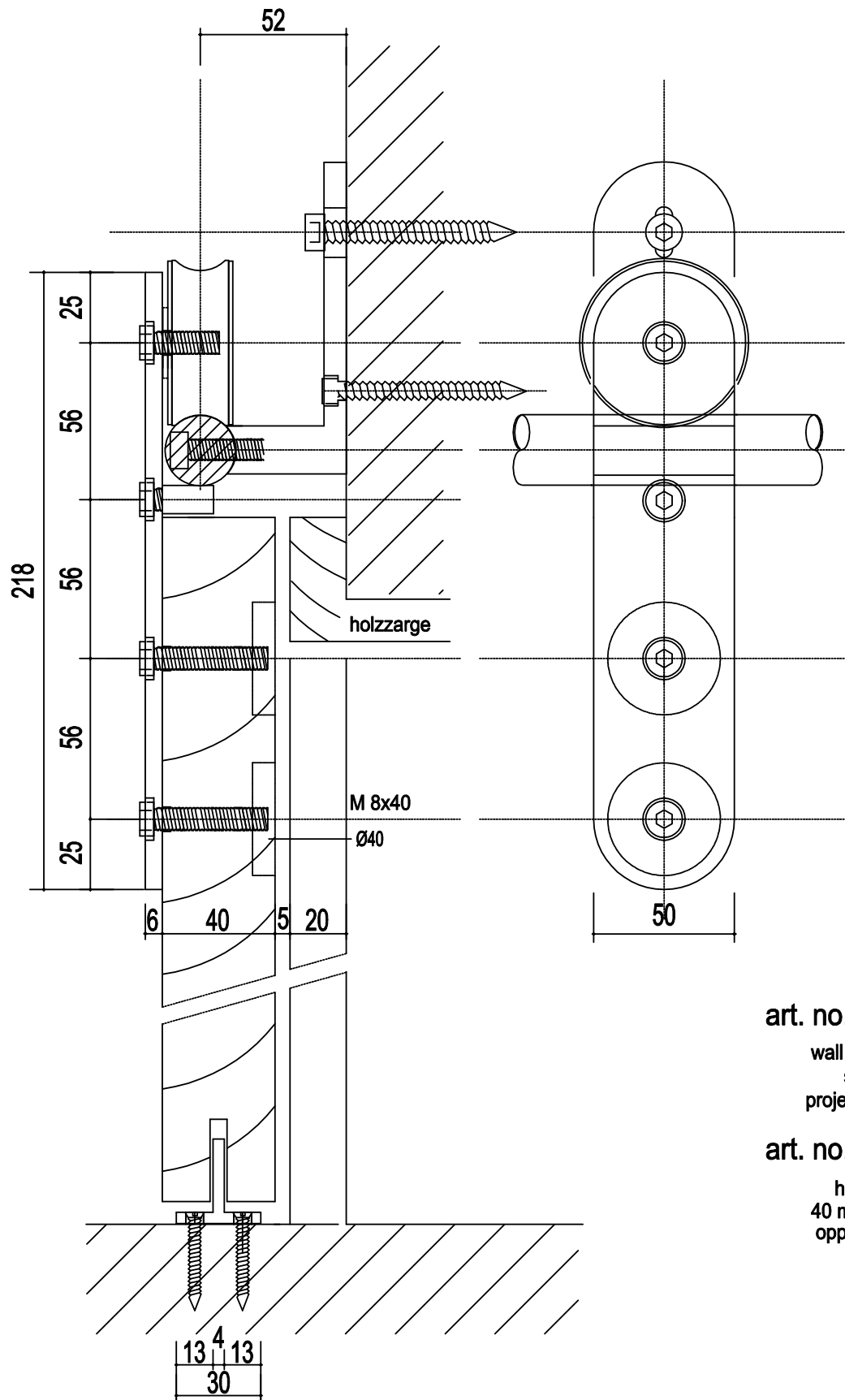
**art. no. 6.04.01**  
 hanger 600  
 2 track glass

**art. no. 6.01.23**  
 ceiling bracket 2-track  
 with saddle piece

# technical drawings

stainless steel fitting for sliding doors with round supporting rod  
 astec b.600 - registered no. 498 08 428.0 german patent office

06.07.2015



**art. no. 6.01.15**

wall bracket with  
 saddle piece  
 projektion 52 mm

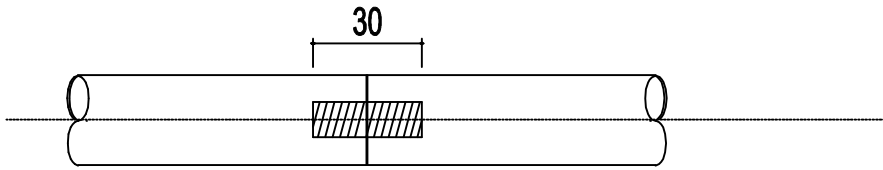
**art. no. 6.04.04**

hanger timber  
 40 mm with flush  
 opposite pulleys  
 timber door

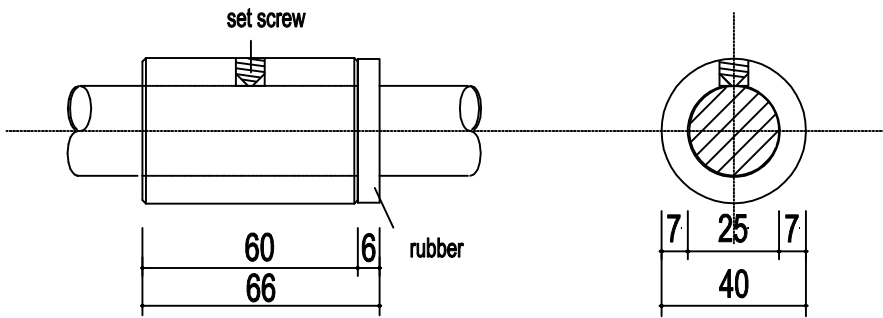
# technical drawings

stainless steel fitting for sliding doors with round supporting rod  
 astec b.600 - registered no. 498 08 428.0 german patent office

06.07.2015

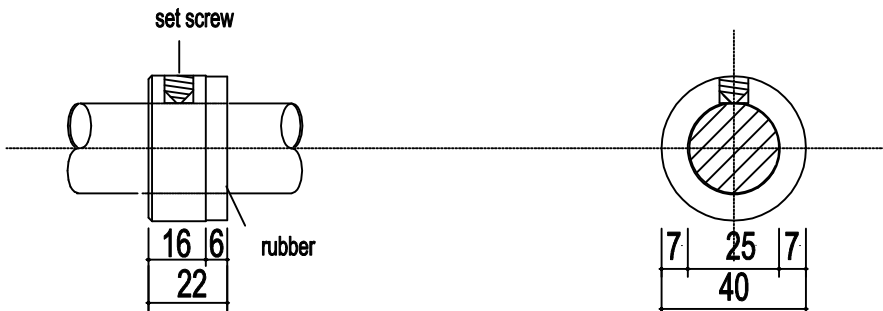


filling bolt 10/30  
 press joint



art. no. 6.03.01  
 coupling

art. no. 6.02.01  
 fastener  
 60 mm



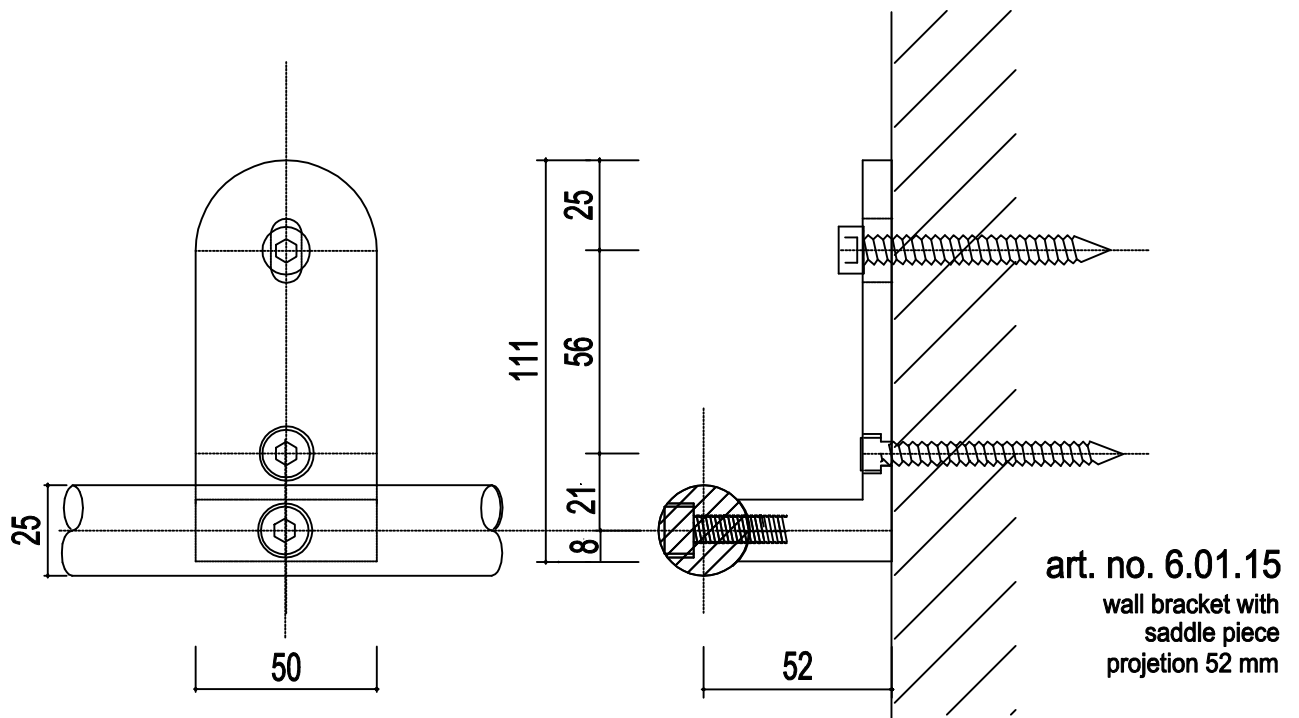
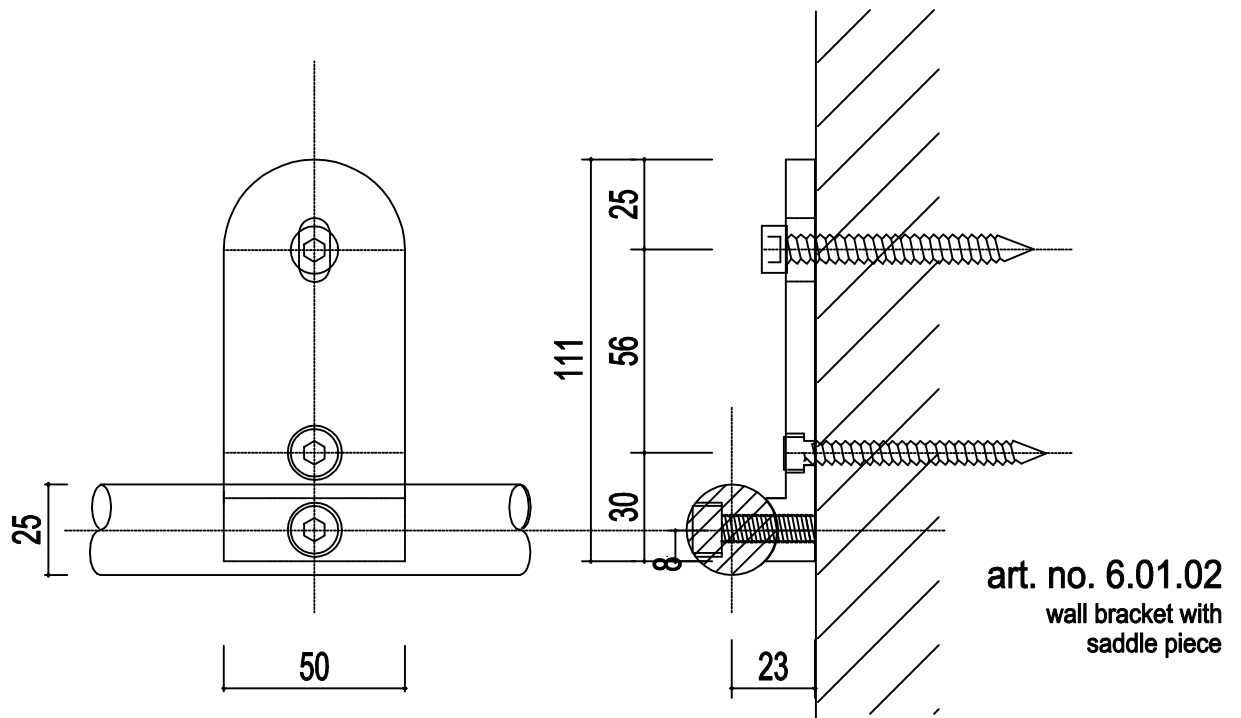
art. no. 6.02.02  
 fastener  
 16 mm



# technical drawings

stainless steel fitting for sliding doors with round supporting rod  
 astec b.600 - registered no. 498 08 428.0 german patent office

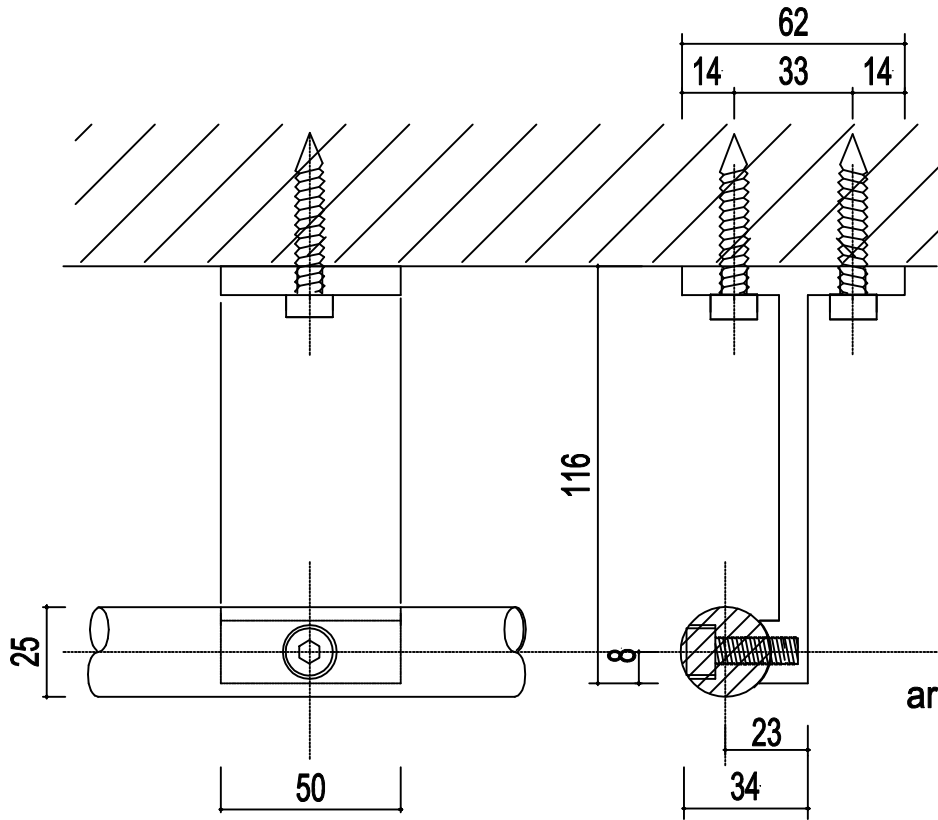
06.07.2015



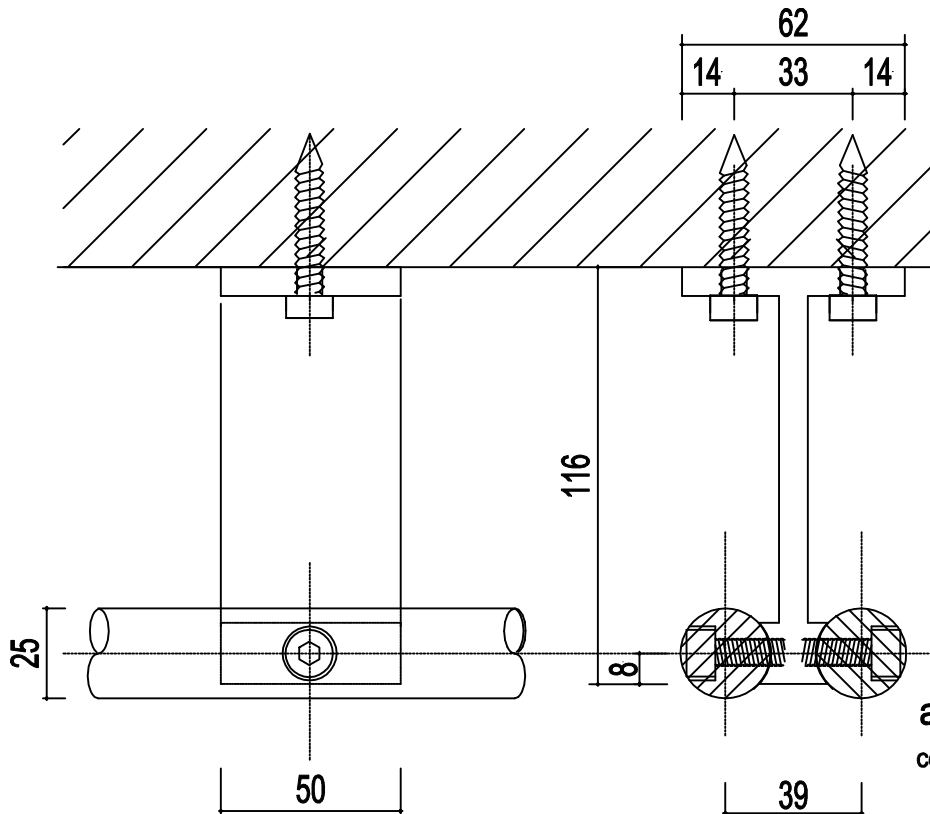
# technical drawings

stainless steel fitting for sliding doors with round supporting rod  
 astec b.600 - registered no. 498 08 428.0 german patent office

06.07.2015



**art. no. 6.01.20**  
 ceiling bracket  
 1-track  
 with saddle piece

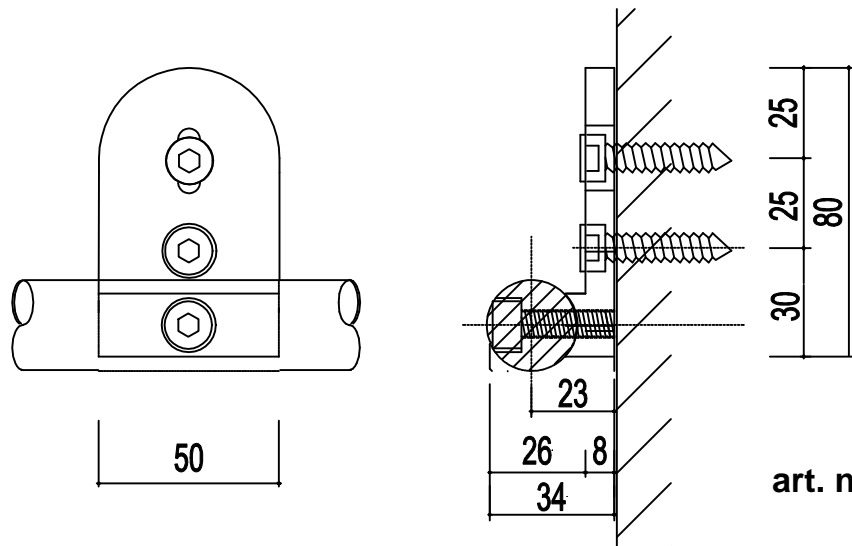


**art. no. 6.01.23**  
 ceiling bracket, 2-track  
 with saddle piece

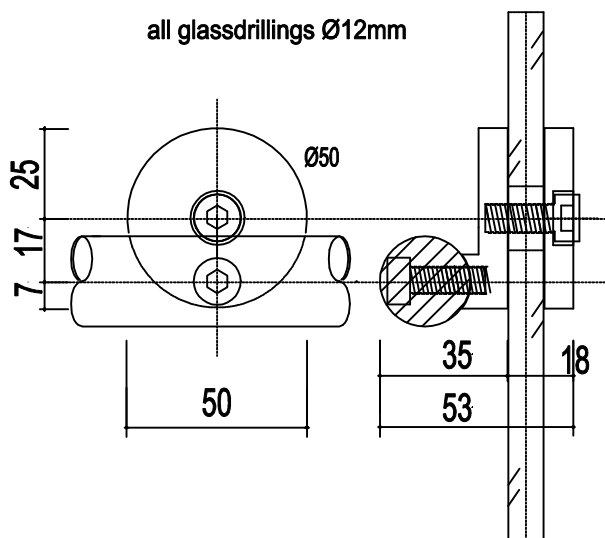
# technical drawings

stainless steel fitting for sliding doors with round supporting rod  
 astec b.600 - registered no. 498 08 428.0 german patent office

06.07.2015



**art. no. 6.01.30**  
 wall bracket  
 shortened 80mm

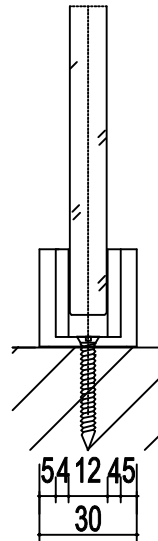
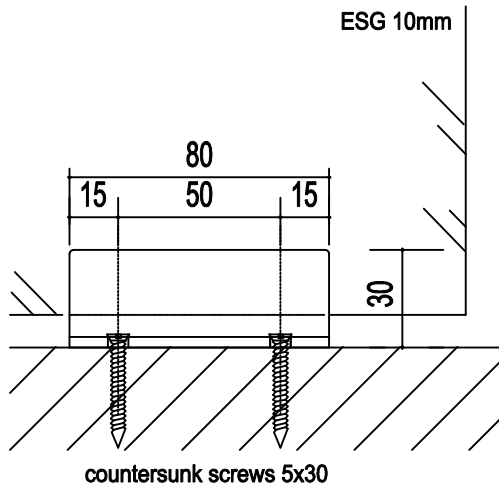


**art. no. 6.01.04**  
 glass bracket

# technical drawings

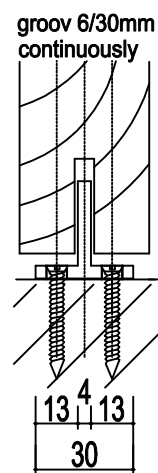
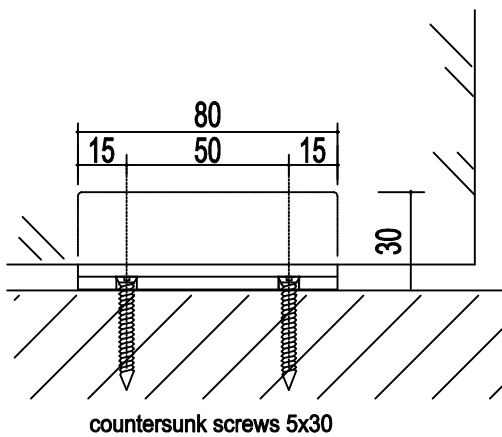
stainless steel fitting for sliding doors with round supporting rod  
 astec b.600 - registered no. 498 08 428.0 german patent office

06.07.2015



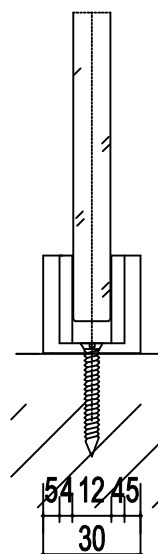
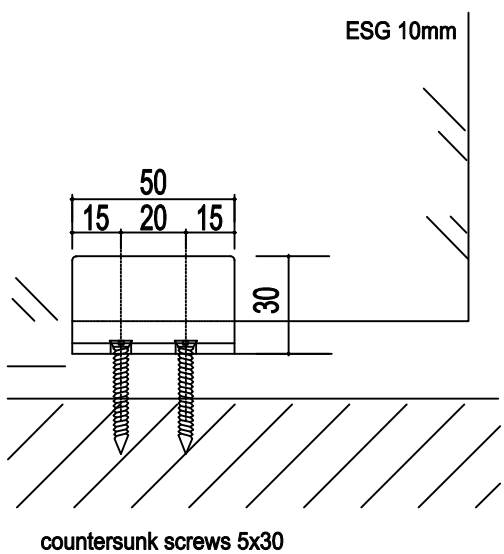
**art. no. 6.05.01**

floor guide  
 for glass doors  
 80 mm



**art. no. 6.05.02**

floor guide for  
 timber door



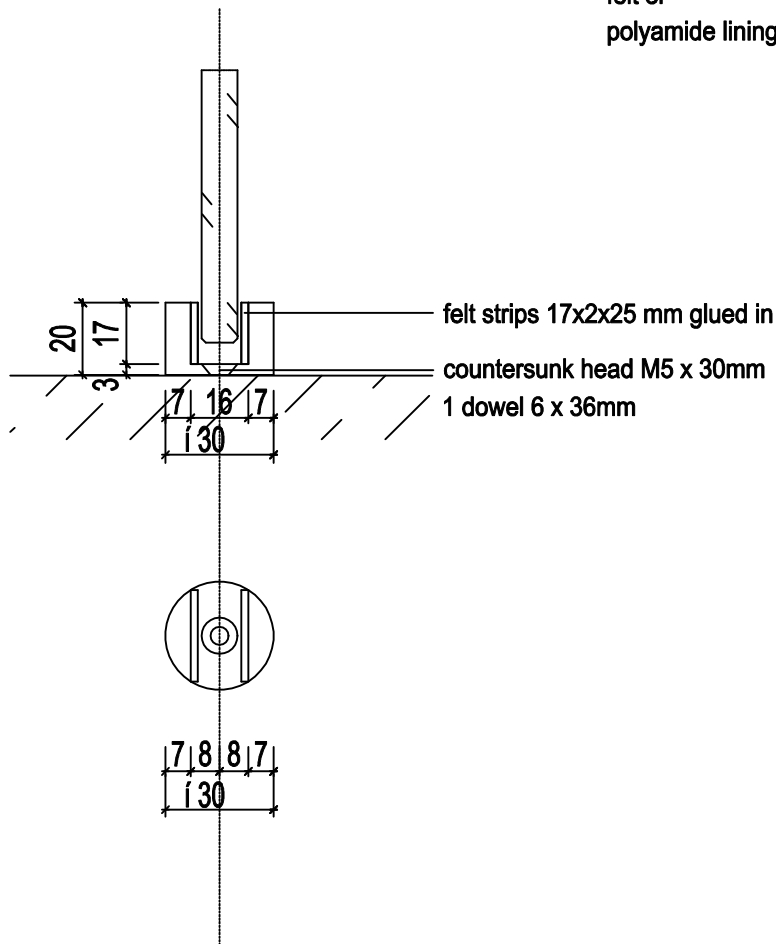
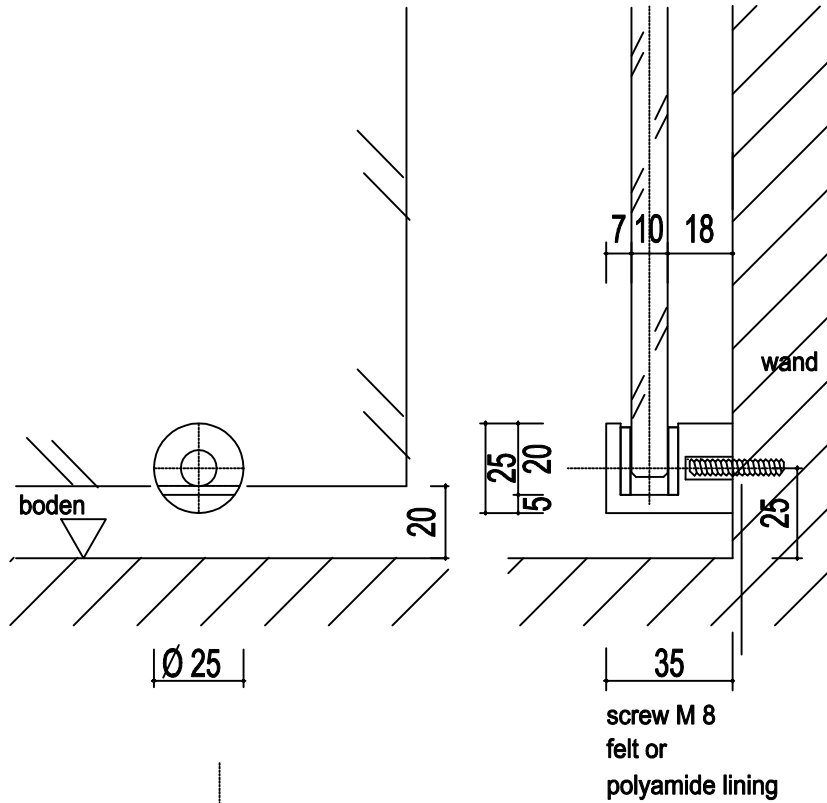
**art. no. 6.05.07**

floor guide  
 for glass doors  
 50 mm

# technical drawings

stainless steel fitting for sliding doors with round supporting rod  
 astec b.600 - registered no. 498 08 428.0 german patent office

06.07.2015



**art. no. 6.05.03**  
 wall guide for glass doors

**art. no. 6.05.09**  
 floor guide  
 glass door round