

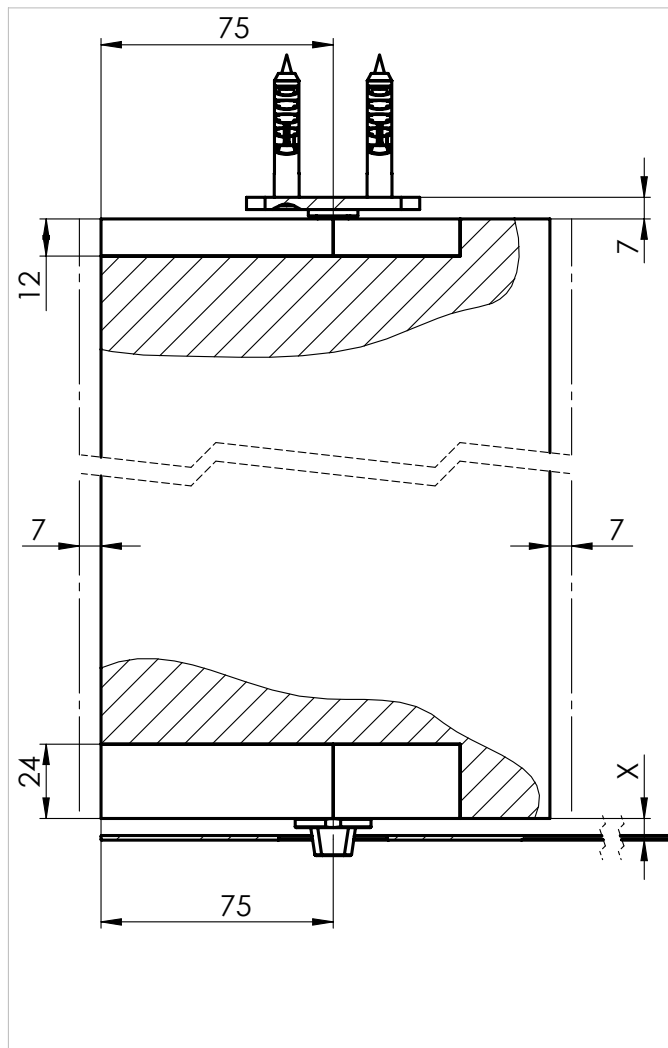
art.no. 5.20.90

b.520 set for pivot bearing

technical drawings

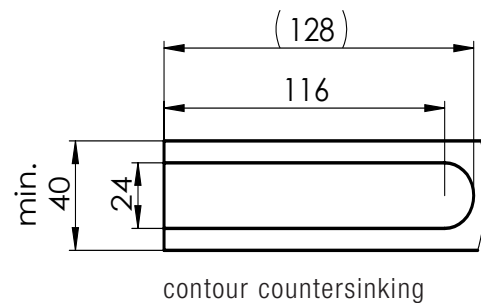
stainless steel swinging door fitting with offset pivot point
astec b.520

03.05.2018



x = depending on floor closer

the suitability of door leaf material
must be checked by customer



art.no. 5.20.91

b.520 set for dorma floor closer

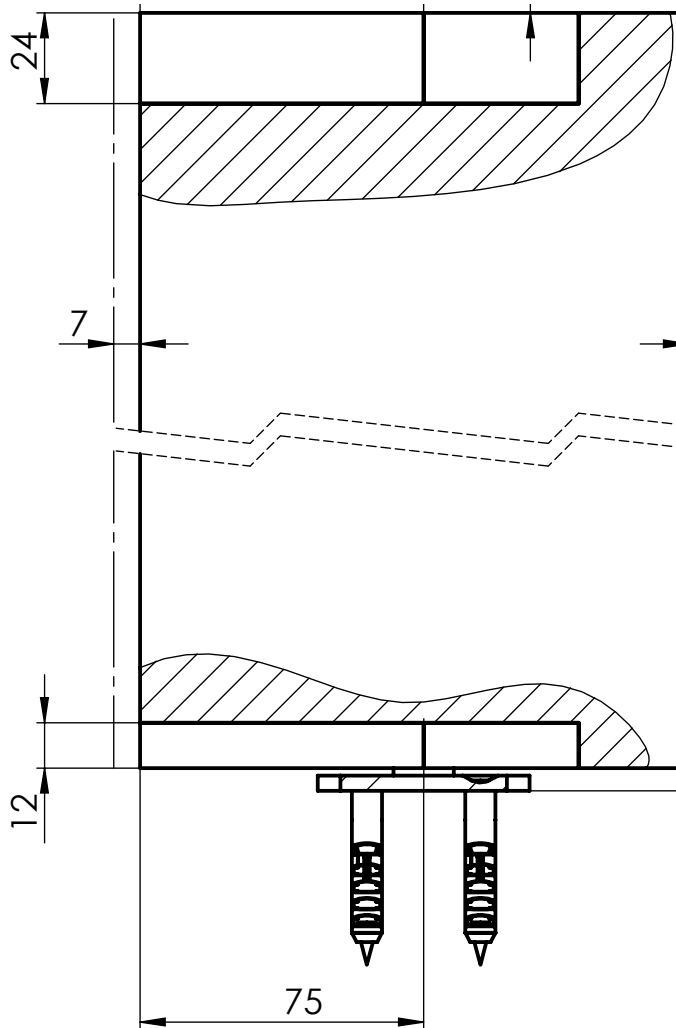
art.no. 5.20.92

b.520 set for geze floor closer

technical drawings

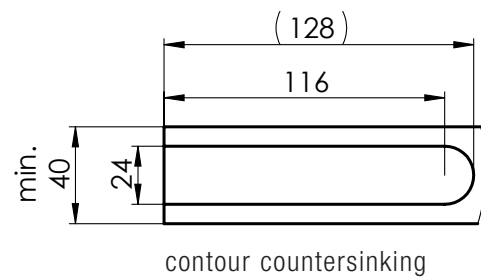
stainless steel swinging door fitting with offset pivot point
astec b.520

03.05.2018



x = depending on transom closer

the suitability of door leaf material
must be checked by customer



art.no. 5.20.93

b.520 set for dorma transom closer