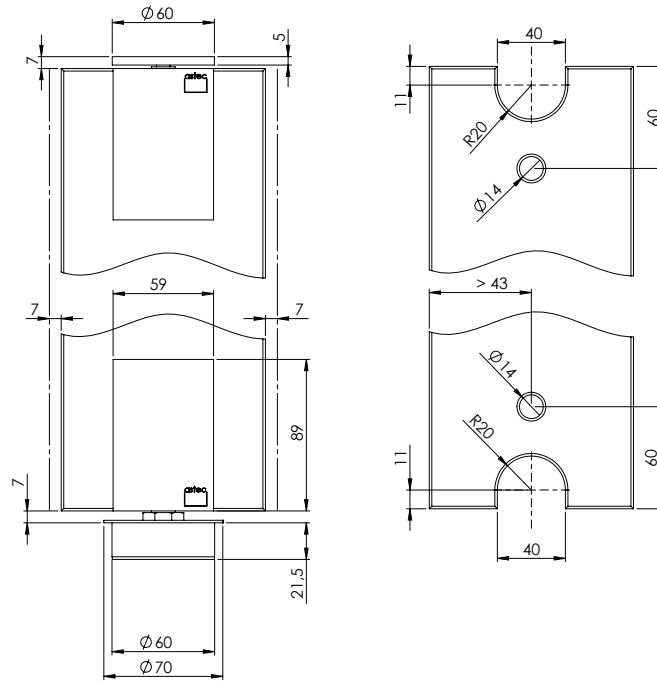
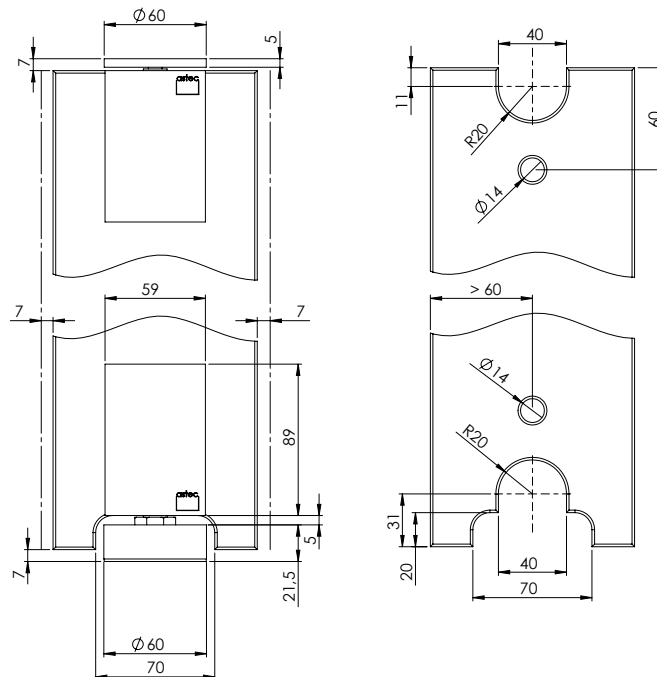


floor retainer embedded



floor retainer salient



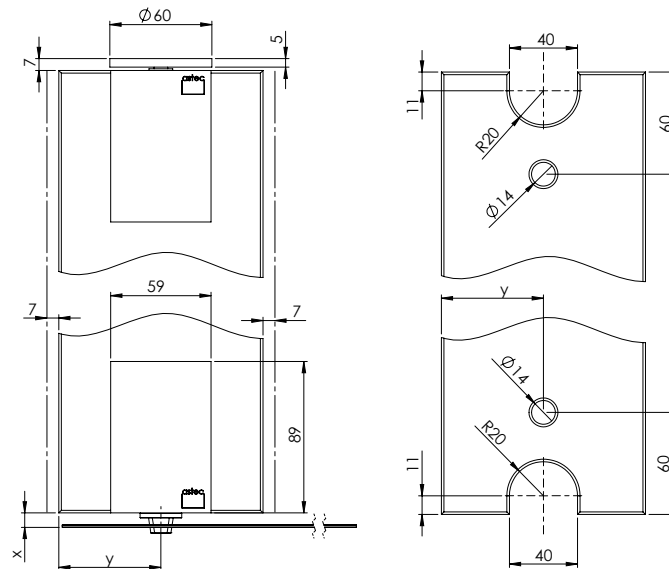
**5.91.21 b.510 set for floor and ceiling retainer**

# technical drawings

stainless steel swinging door fitting with offset pivot point  
astec b.510

15.10.2018

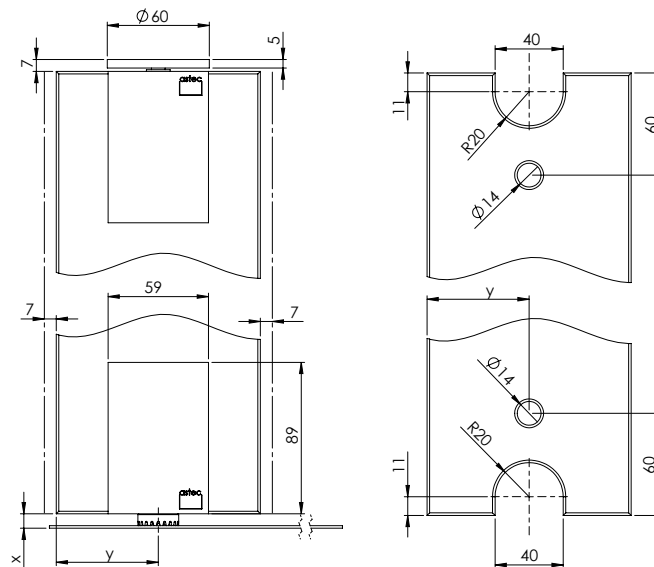
set 5.91.22



x = distance  
dimension from  
lower edge of glass  
to upper edge of  
finished floor  
depends on installed  
floor closer

y = depends on  
installed floor closer

set 5.91.23



5.91.22 b.510 set for dorma floor  
closer and ceiling retainer

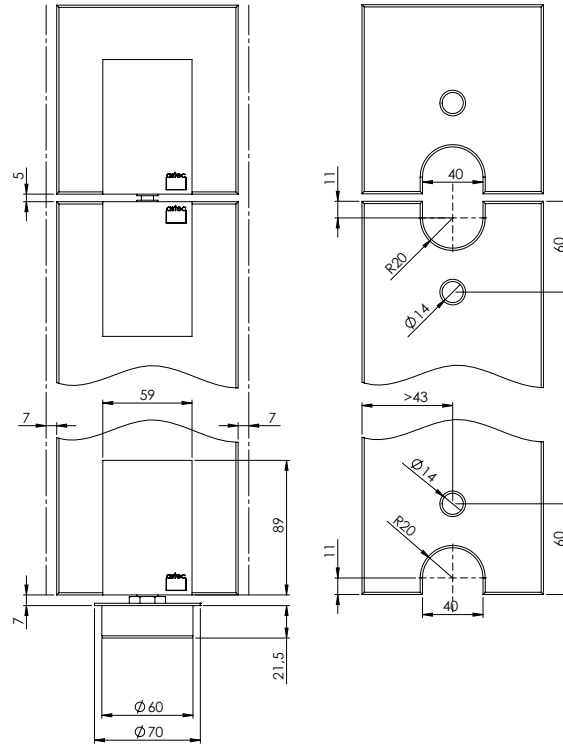
5.91.23 b.500 set for geze floor  
closer and ceiling retainer

# technical drawings

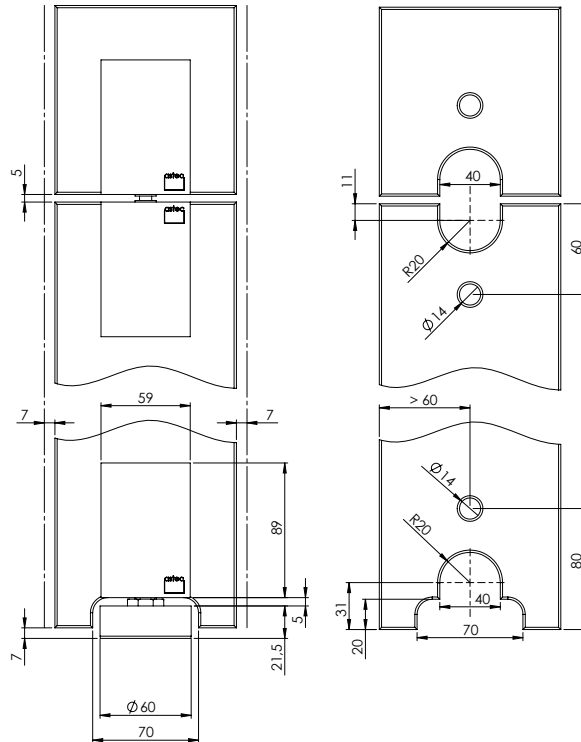
stainless steel swinging door fitting with offset pivot point  
astec b.510

15.10.2018

floor retainer embedded



floor retainer salient



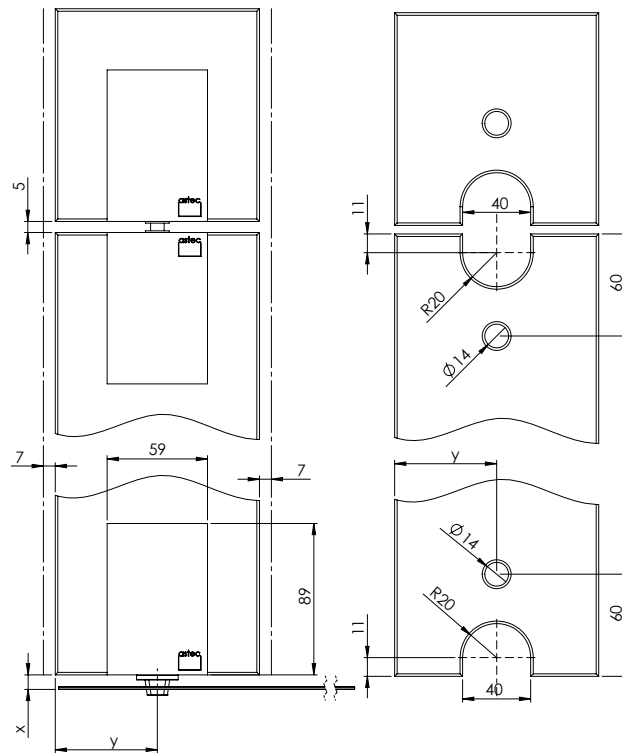
5.91.24 b.510 set for floor retainer and skylight

# technical drawings

stainless steel swinging door fitting with offset pivot point  
astec b.510

15.10.2018

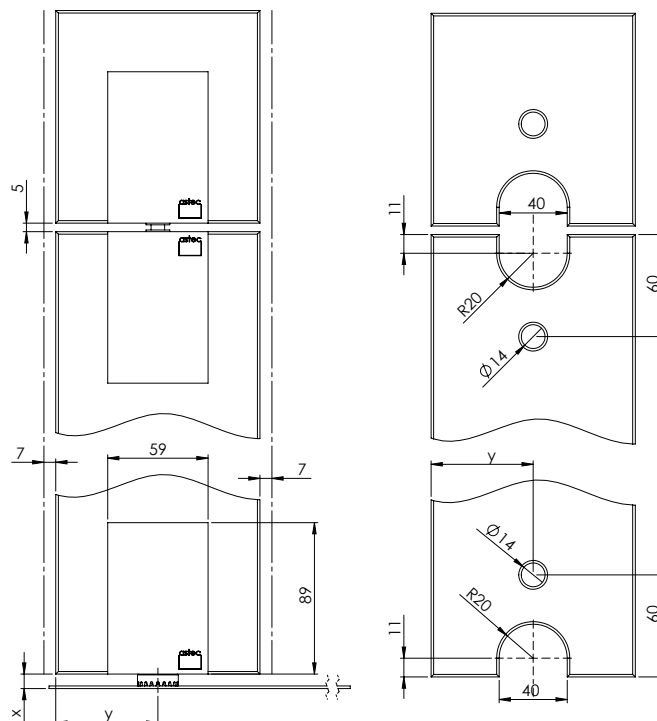
set 5.91.25



x = distance  
dimension from  
lower edge of glass  
to upper edge of  
finished floor  
depends on installed  
floor closer

y = depends on  
installed floor closer

set 5.91.26



5.901.25 b.510 set for dorma floor  
closer and skylight

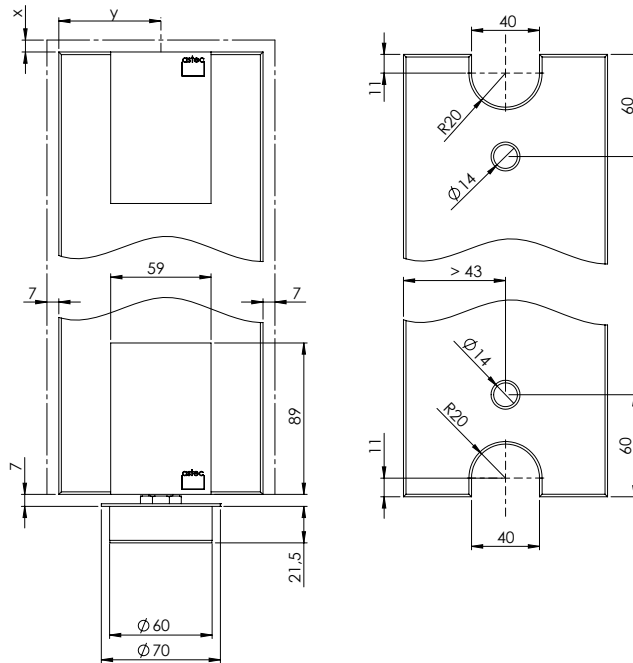
5.91.26 b.510 set for geze floor  
closer and skylight

# technical drawings

stainless steel swinging door fitting with offset pivot point  
astec b.510

15.10.2018

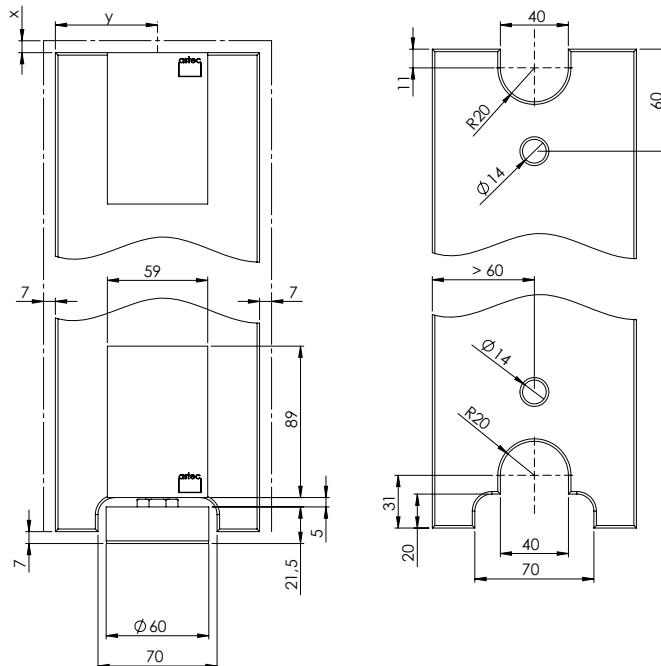
floor retainer embedded



x = distance  
dimension from  
lower edge of glass  
to upper edge of  
finished floor  
depends on installed  
dorma transom  
closer.

y = depends on  
installed dorma  
transom closer.

floor retainer salient



## 5.91.27 b.510 set for floor retainer and dorma transom closer