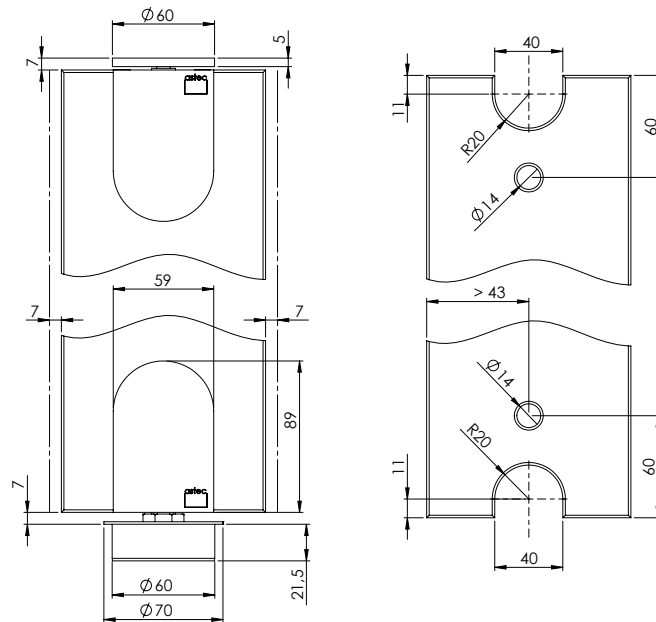


technical drawings

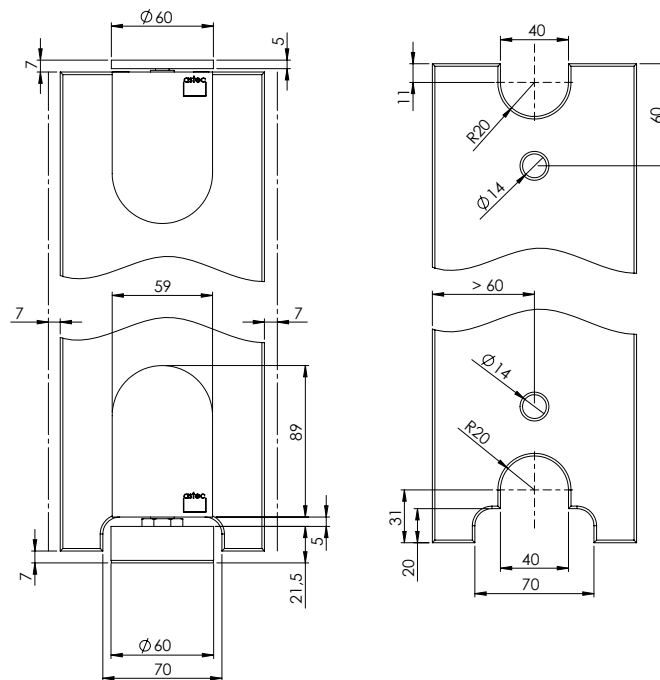
stainless steel swinging door fitting with offset pivot point
 astec b.500 - registered no. 203 15 026.0 german patent office

15.10.2018

floor retainer embedded



floor retainer salient



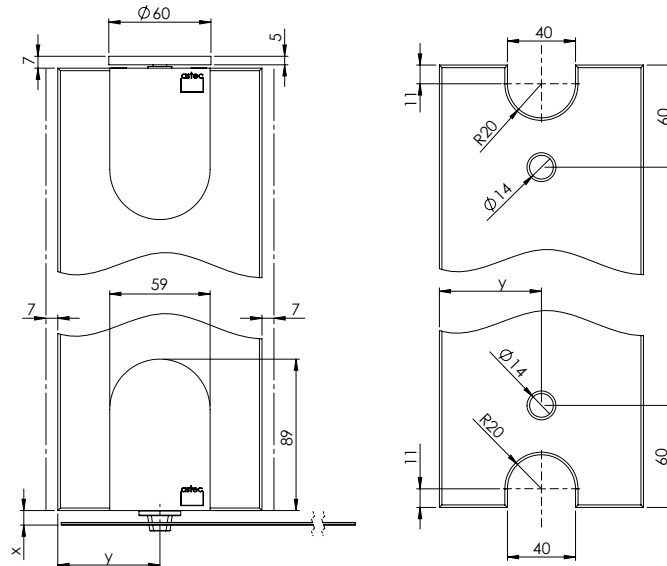
5.90.21 b.500 set for floor and ceiling retainer

technical drawings

stainless steel swinging door fitting with offset pivot point
 astec b.500 - registered no. 203 15 026.0 german patent office

15.10.2018

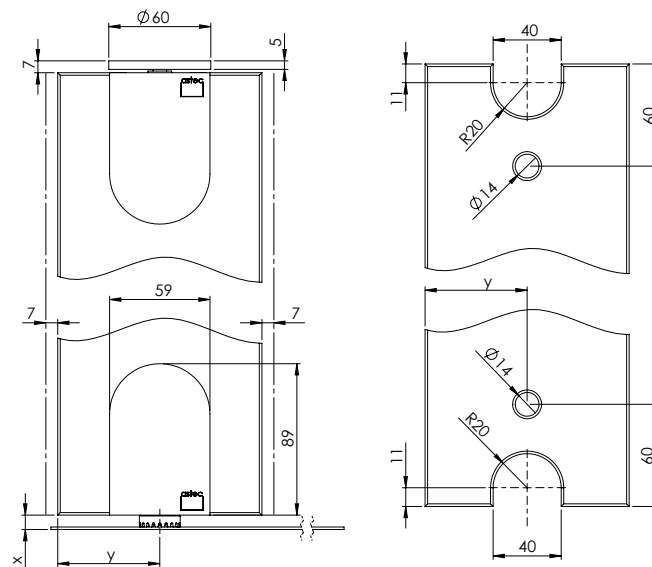
set 5.90.22



x = distance
 dimension from
 lower edge of glass
 to upper edge of
 finished floor
 depends on installed
 floor closer

y = depends on
 installed floor closer

set 5.90.23



5.90.22 b.500 set for dorma floor
 closer and ceiling retainer

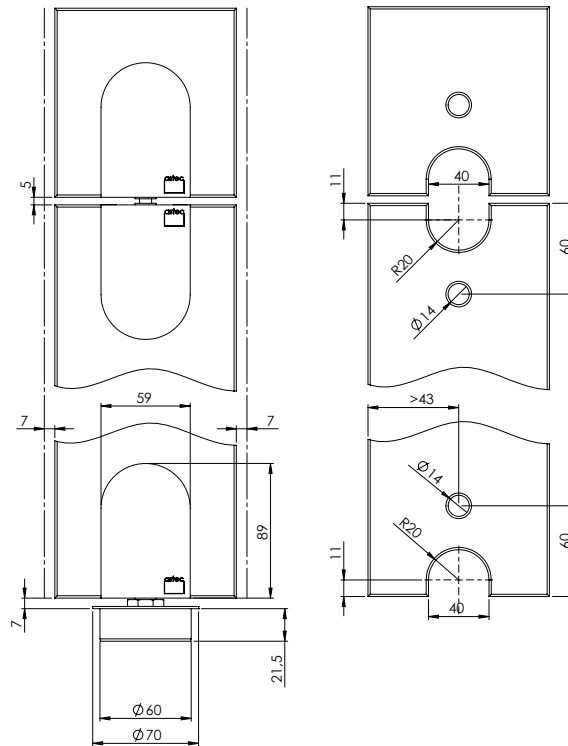
5.90.23 b.500 set for geze floor
 closer and ceiling retainer

technical drawings

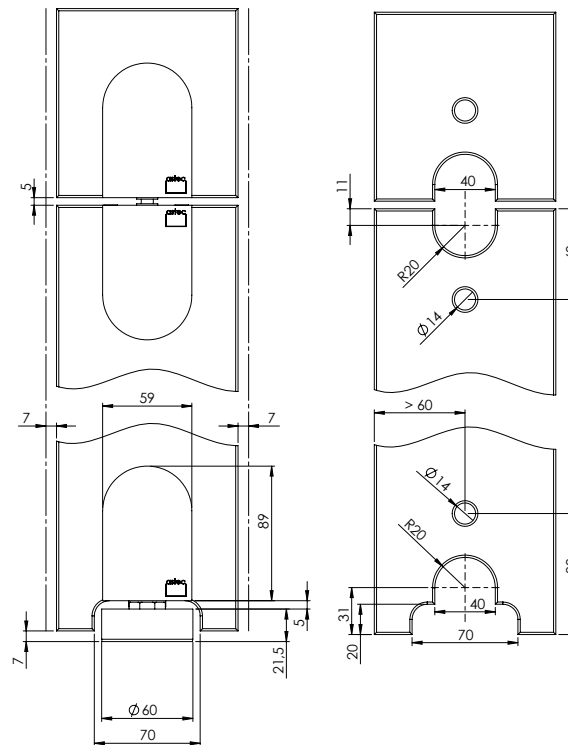
stainless steel swinging door fitting with offset pivot point
 astec b.500 - registered no. 203 15 026.0 german patent office

15.10.2018

floor retainer embedded



floor retainer salient



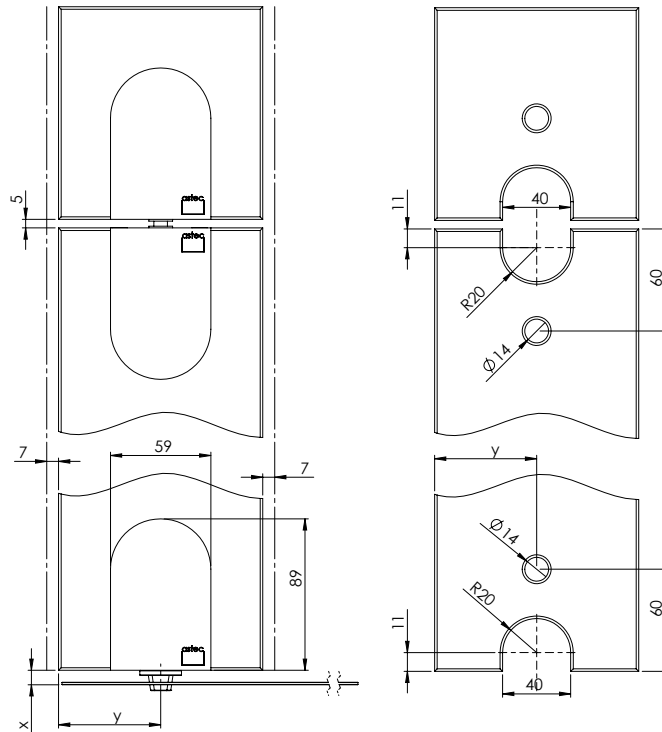
5.90.24 b.500 set for floor retainer and skylight

technical drawings

stainless steel swinging door fitting with offset pivot point
 astec b.500 - registered no. 203 15 026.0 german patent office

15.10.2018

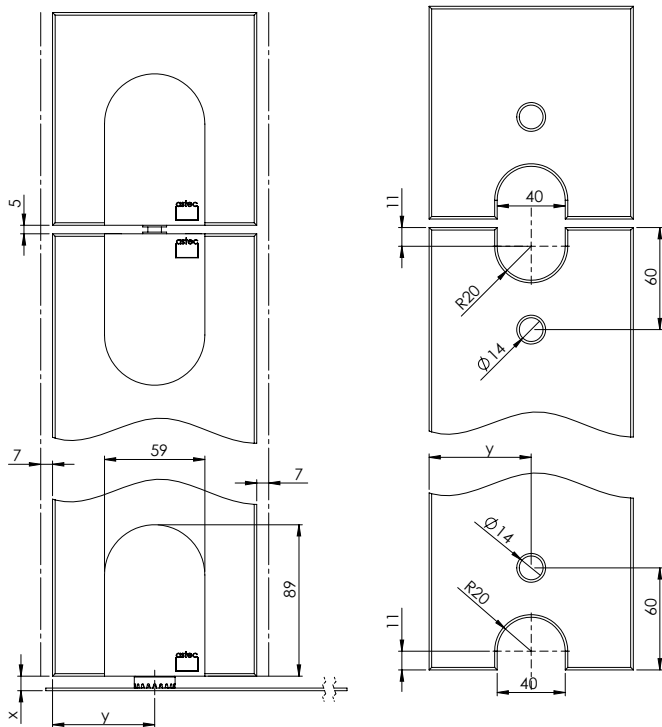
set 5.90.25



x = distance
 dimension from
 lower edge of glass
 to upper edge of
 finished floor
 depends on installed
 floor closer

y = depends on
 installed floor closer

set 5.90.26



5.90.25 b.500 set for dorma floor
 closer and skylight

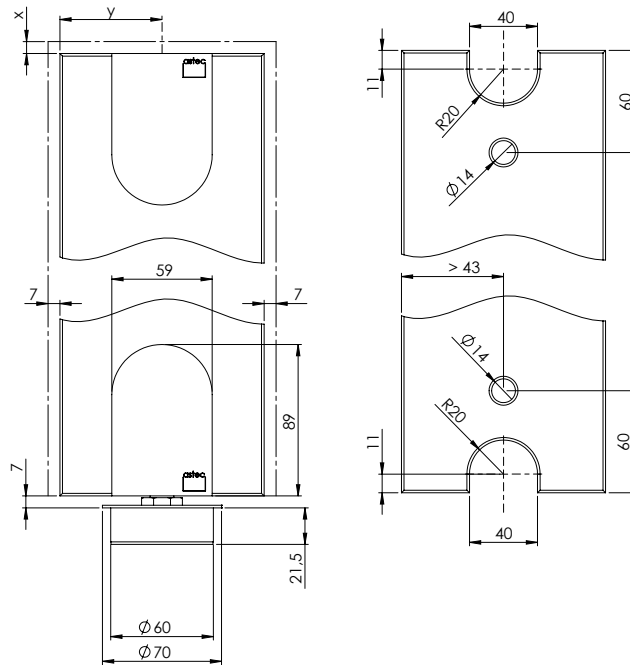
5.90.26 b.500 set for geze floor
 closer and skylight

technical drawings

stainless steel swinging door fitting with offset pivot point
 astec b.500 - registered no. 203 15 026.0 german patent office

15.10.2018

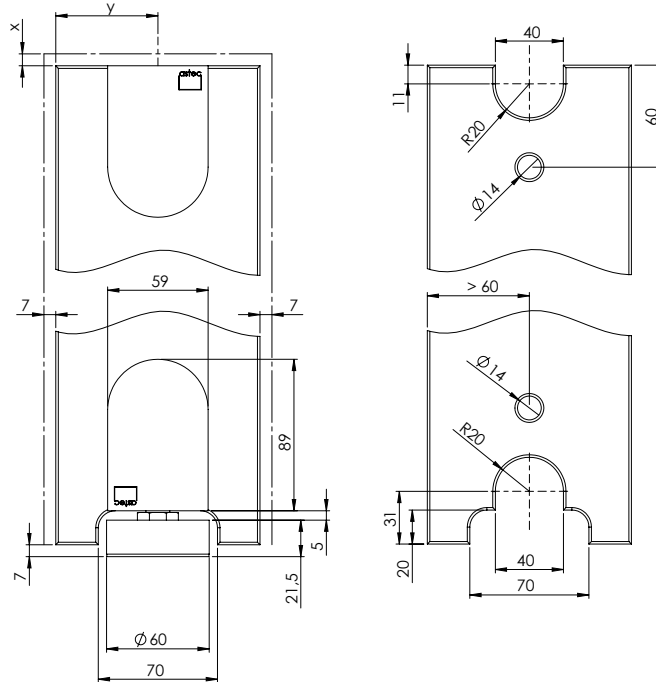
floor retainer embedded



x = distance
 dimension from
 lower edge of glass
 to upper edge of
 finished floor
 depends on installed
 dorma transom
 closer.

y = depends on
 installed dorma
 transom closer.

floor retainer salient



5.90.27 b.500 set for floor retainer and dorma transom closer