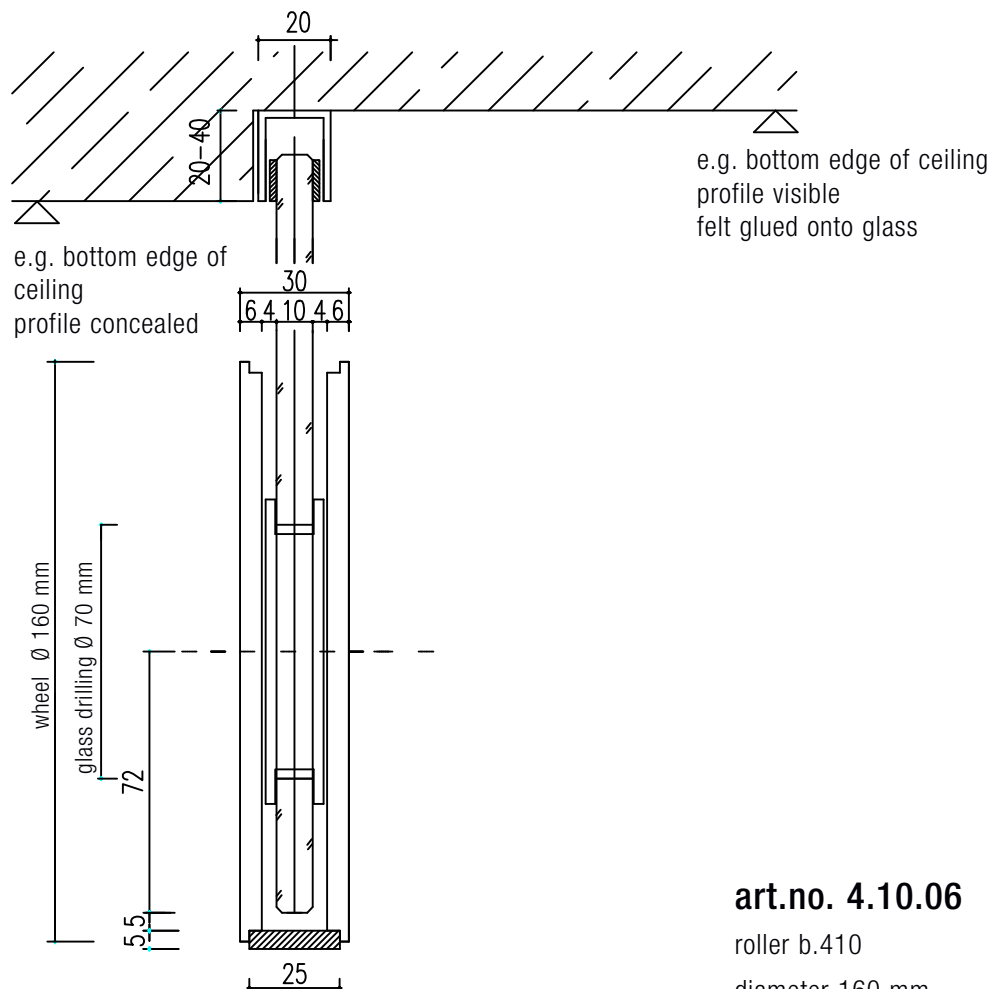


technical drawings

stainless steel roll fitting for sliding doors
 astec b.410 - eingetr. no. 202 19 810.3 german patent office

18.05.2016

alu u-profile 20/40/2 mm
 anodised EV1



art.no. 4.10.06

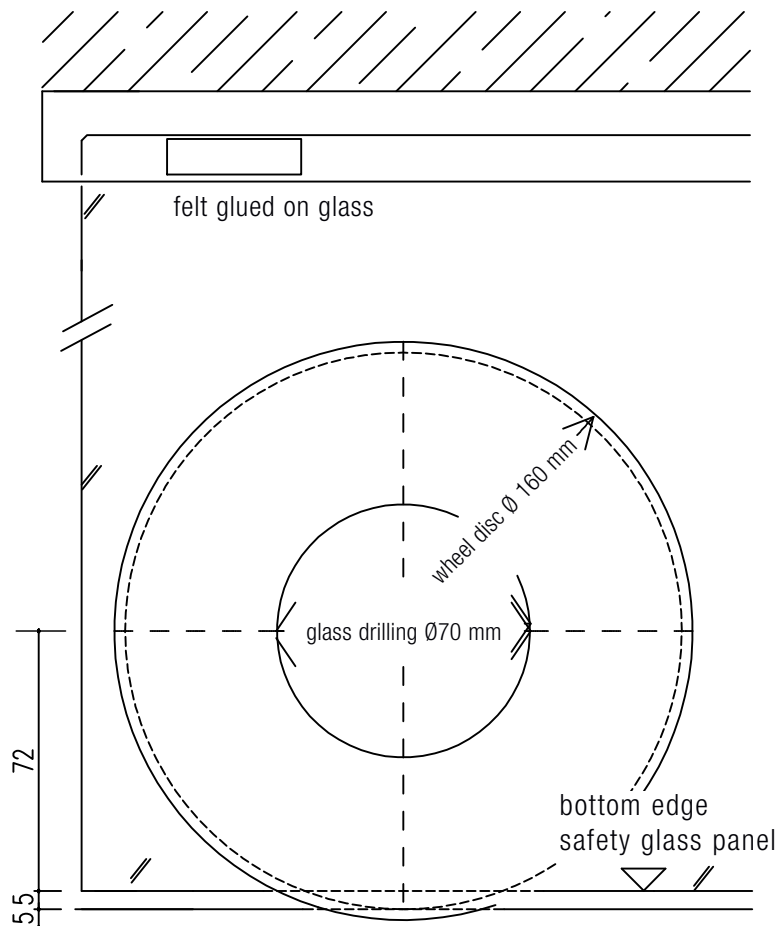
roller b.410
 diameter 160 mm

art.no. 9.07.17

floor track stainless steel b.410
 undrilled, 25/5 mm

art.no. 9.07.46

floor track stainless steel b.410
 drilled, 25/5 mm



art.no. 4.10.06

roller b.410

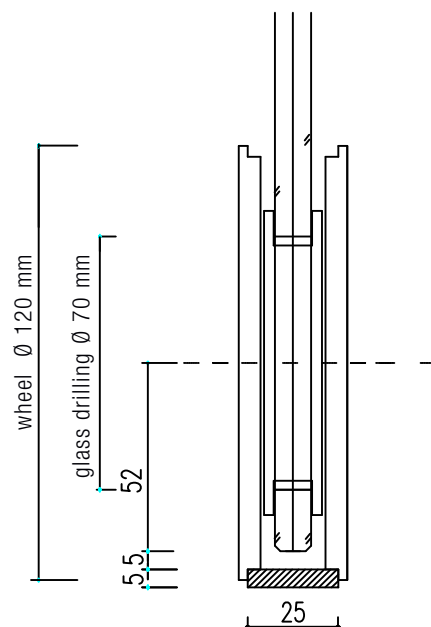
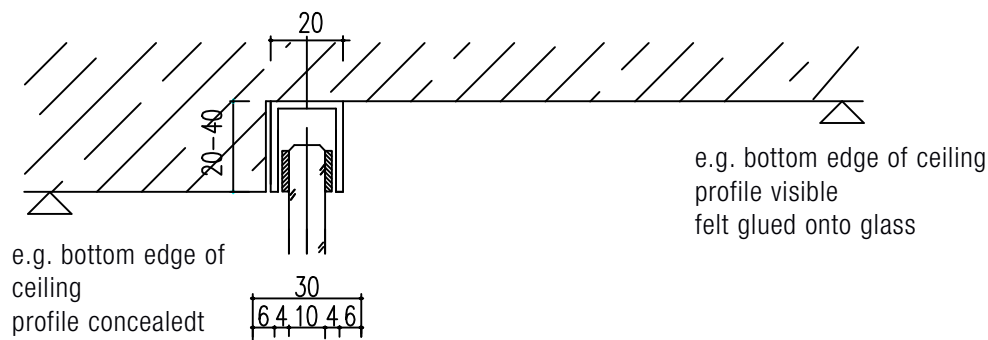
diameter 160 mm

technical drawings

stainless steel roll fitting for sliding doors
 astec b.410 - eingetr. no. 202 19 810.3 german patent office

18.05.2016

alu u-profile 20/40/2 mm
 anodised EV1



art.no. 4.10.07

roller b.410
 diameter 120 mm

art.no. 9.07.17

floor track stainless steel b.410
 undrilled, 25/5 mm

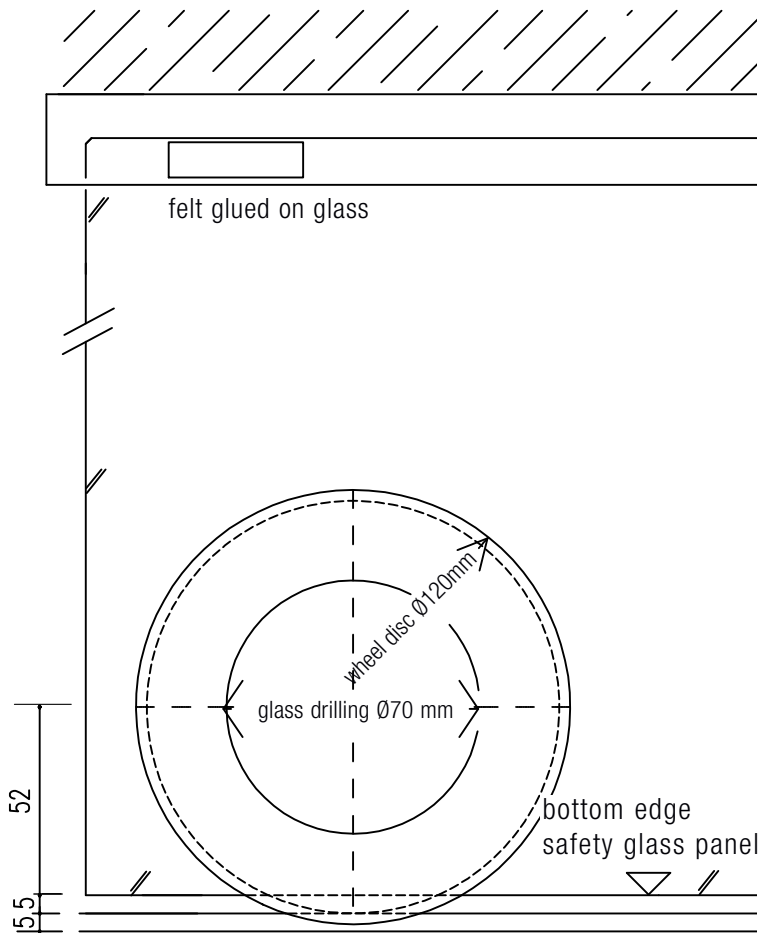
art.no. 9.07.46

floor track stainless steel b.410
 drilled, 25/5 mm

technical drawings

stainless steel roll fitting for sliding doors
 astec b.410 - eingetr. no. 202 19 810.3 german patent office

18.05.2016



art.no. 4.10.07

roller b.410

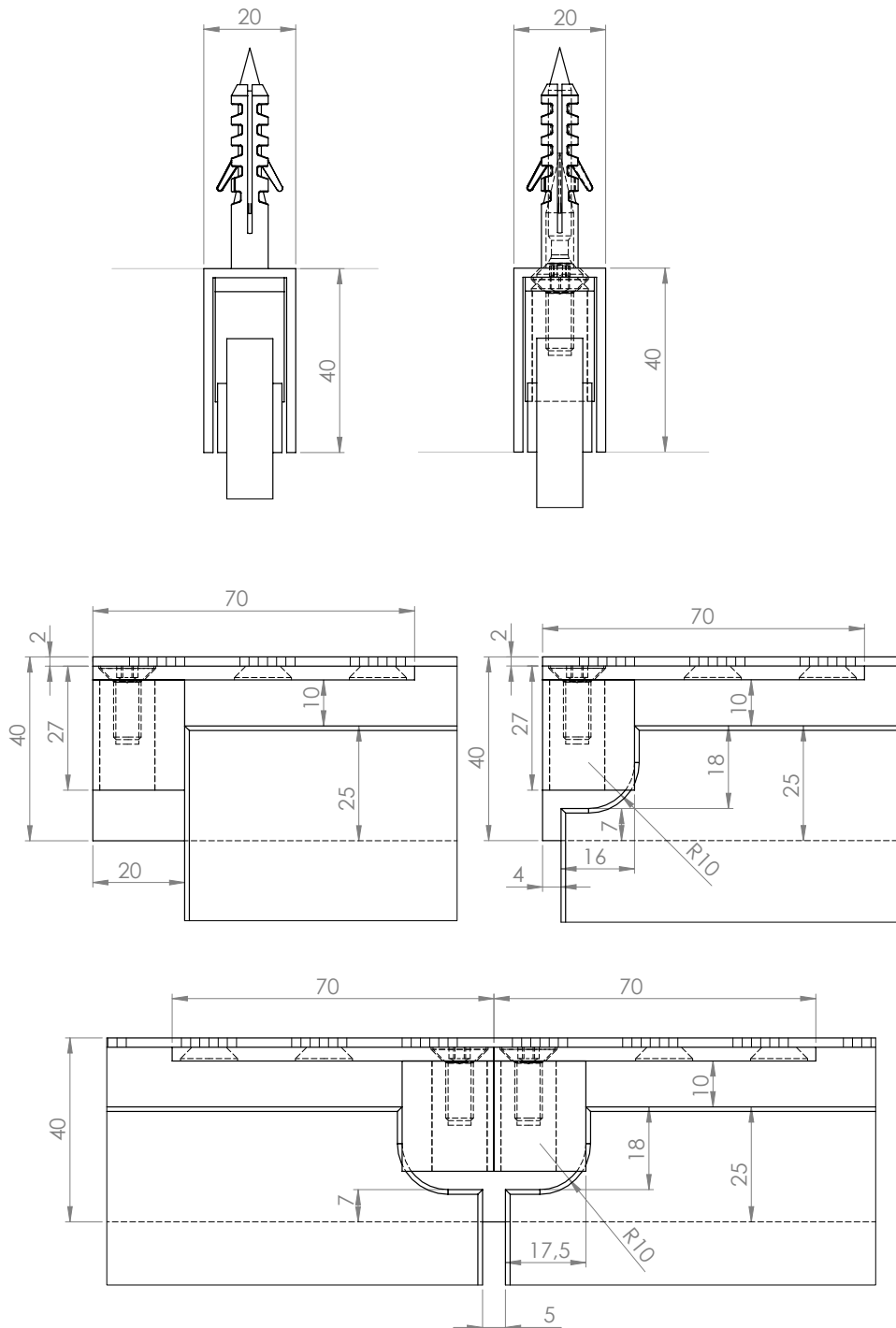
diameter 120 mm

page 4

technical drawings

stainless steel roll fitting for sliding doors
 astec b.410 - eingetr. no. 202 19 810.3 german patent office

18.05.2016



ceiling rail 40/20 mm

art.no. 9.08.01

ceiling rail alu u-profile 40/20 mm

art.no. 9.08.37

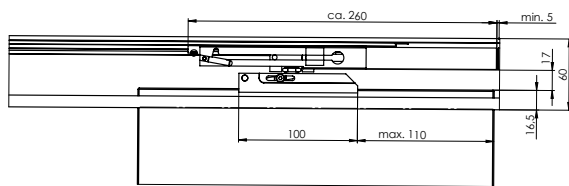
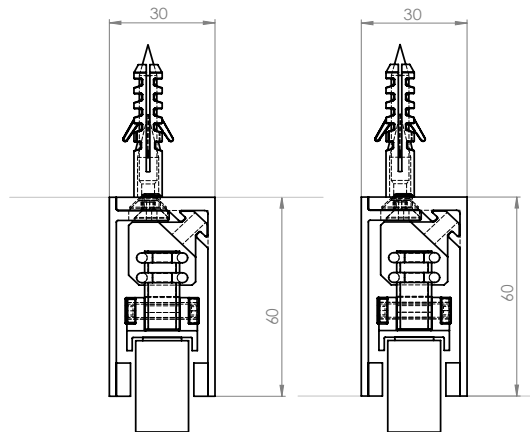
end stop in alu u-profile 40/20mm

technical drawings

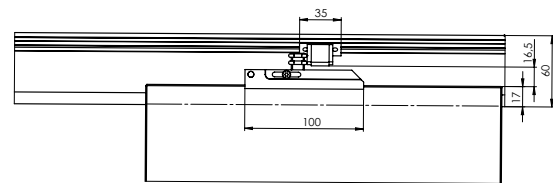
stainless steel roll fitting for sliding doors
 astec b.410 - eingetr. no. 202 19 810.3 german patent office

18.05.2016

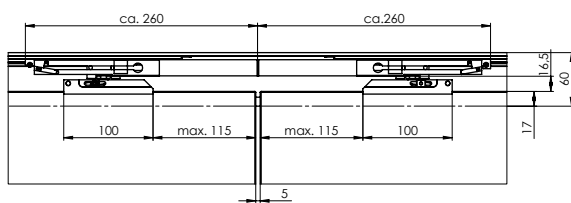
placed embedded



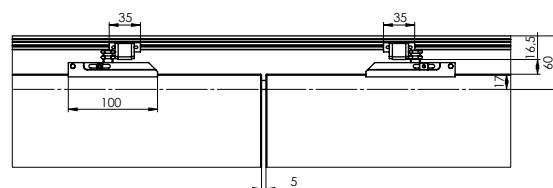
door damper single door



end stop single door



door damper double door



end stop double door

ceiling rail 60/30 mm

art.no. 9.08.83

two-piece ceiling rail in alu u-profile 60/30 mm

art.no. 9.08.92

set door damper in alu u-profile 60/30 mm

art.no. 9.08.91

set end stop in alu u-profile 60/30 mm