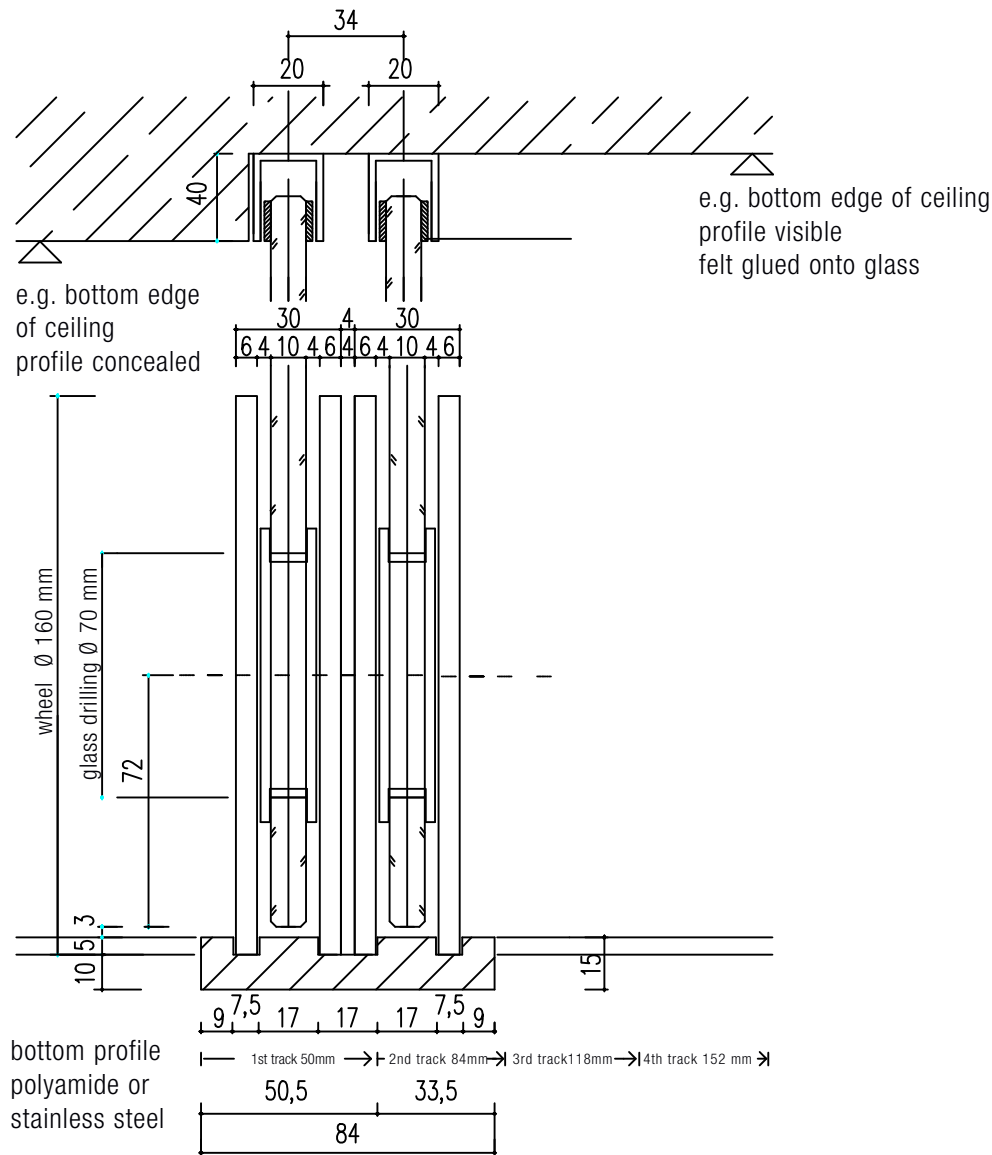


technical drawings

stainless steel roll fitting for sliding doors
 astec b.400 - registered no. 202 19 810.3 german patent office

18.05.2016

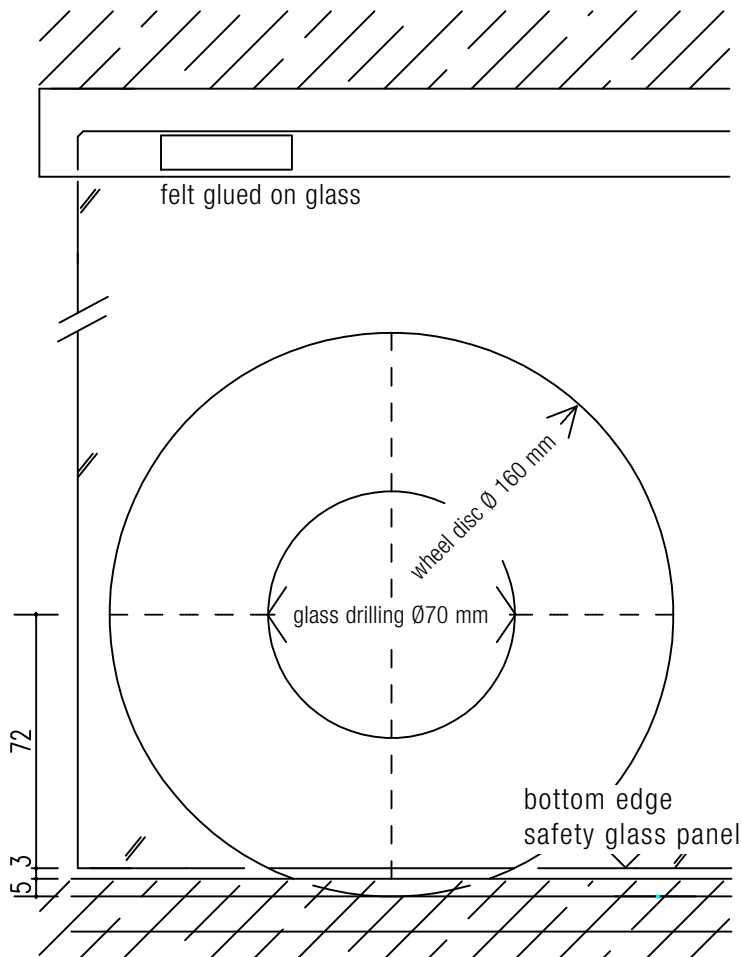
alu u-profile 20/40/2 mm
 anodised EV1



art.no. 4.00.06

roller b.400

diameter 160 mm



art.no. 4.00.06

roller b.400

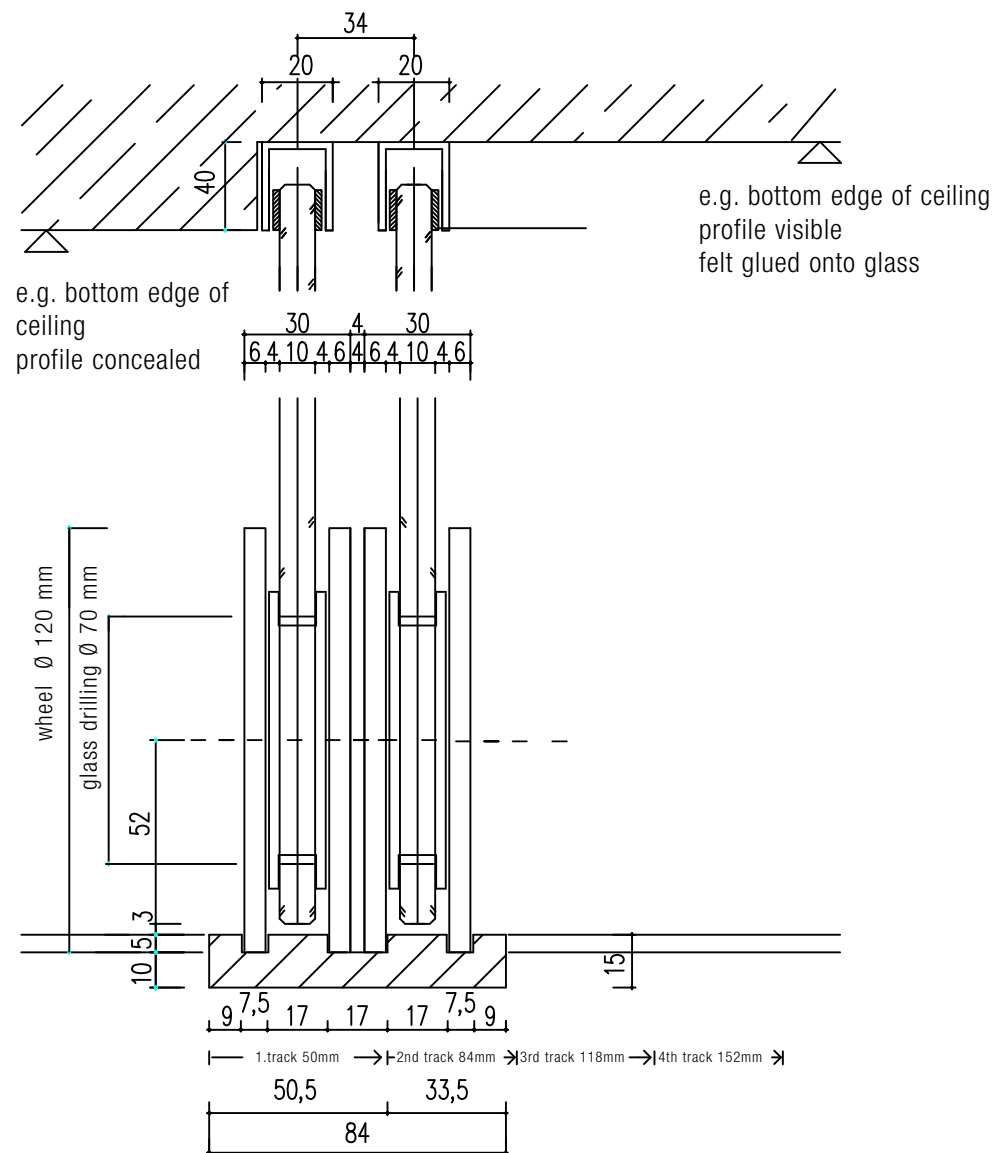
diameter 160 mm

technical drawings

stainless steel roll fitting for sliding doors
 astec b.400 - registered no. 202 19 810.3 german patent office

18.05.2016

alu u-profile 20/40/2 mm
 anodised EV1



art.no. 4.00.07

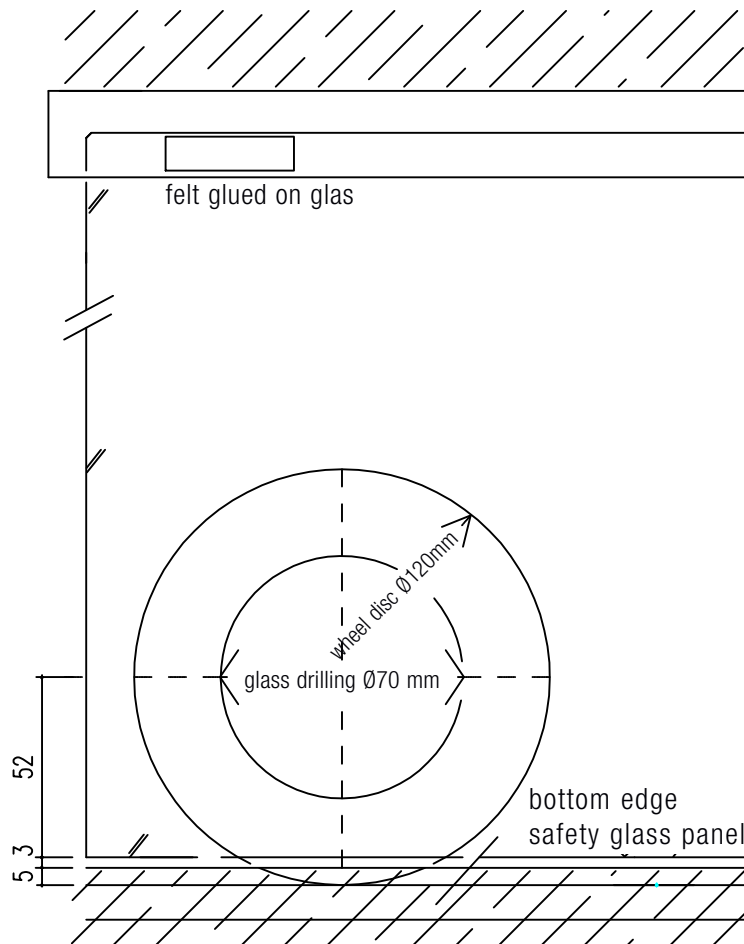
roller b.400

diameter 120 mm

technical drawings

stainless steel roll fitting for sliding doors
 astec b.400 - registered no. 202 19 810.3 german patent office

18.05.2016



art.no. 4.00.07

roller b.400

diameter 120 mm

page 4

technical drawings

stainless steel roll fitting for sliding doors
 astec b.400 - registered no. 202 19 810.3 german patent office

18.05.2016

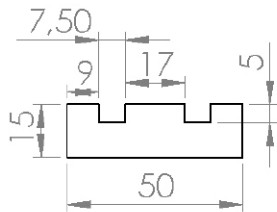
floor tracks polyamide

color grey

color black

art.no.

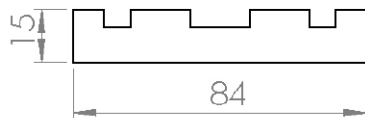
art.no.



9.07.01

9.07.26

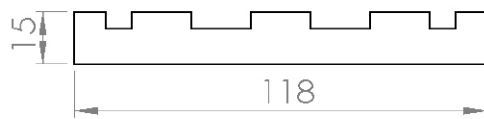
1-track



9.07.02

9.07.27

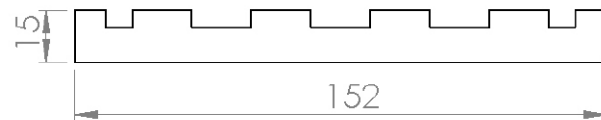
2-track



9.07.03

9.07.28

3-track



9.07.05

9.07.29

4-track

fabrication of floor tracks in hard wood on request.

maximal track length 3000 mm, overlengths are coupled.

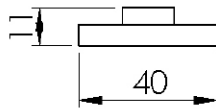
tracks are delivered undrilled on default.

technical drawings

stainless steel roll fitting for sliding doors
 astec b.400 - registered no. 202 19 810.3 german patent office

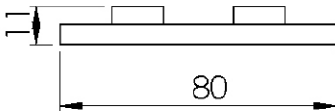
18.05.2016

floor tracks stainless steel

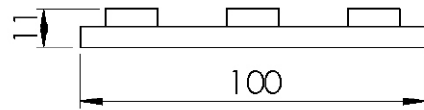


art.no.

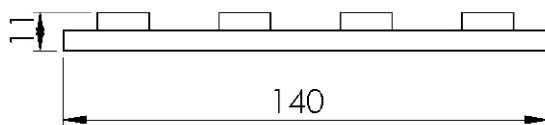
9.07.18 1-track



9.07.42 2-track



9.07.24 3-track



9.07.25 4-track

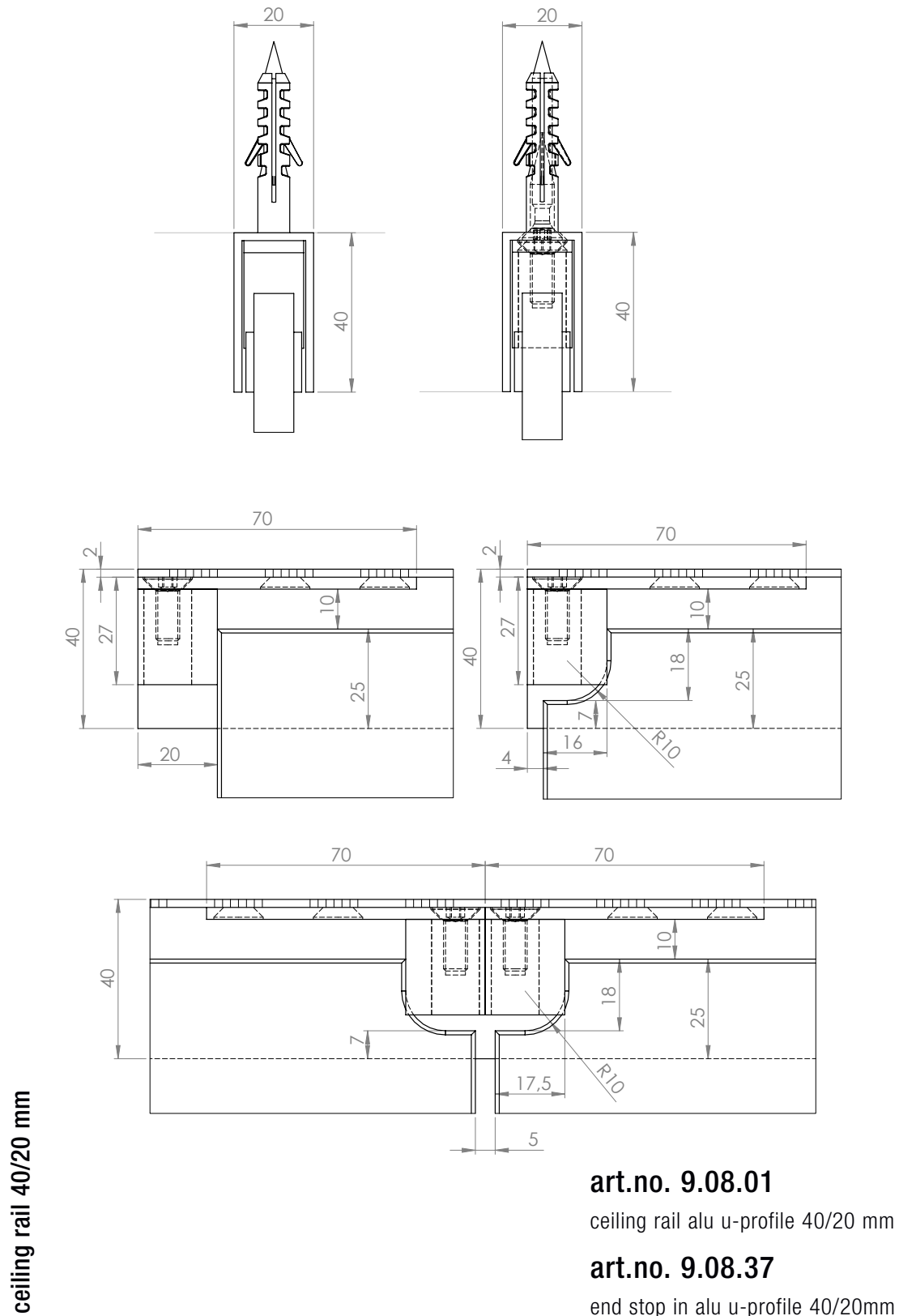
maximal track length 5900 mm, overlengths are coupled.

tracks are delivered undrilled on default.

technical drawings

stainless steel roll fitting for sliding doors
 astec b.400 - registered no. 202 19 810.3 german patent office

18.05.2016

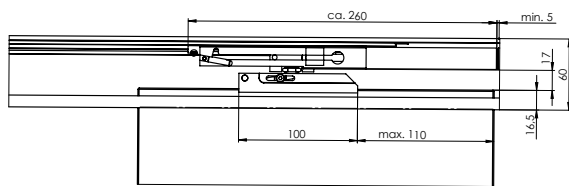
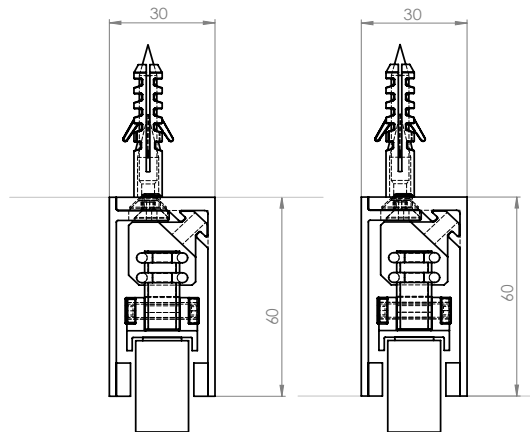


technical drawings

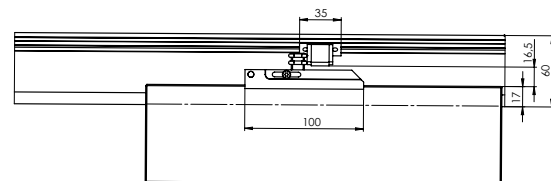
stainless steel roll fitting for sliding doors
 astec b.400 - registered no. 202 19 810.3 german patent office

18.05.2016

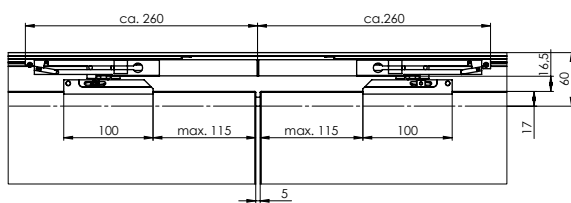
placed embedded



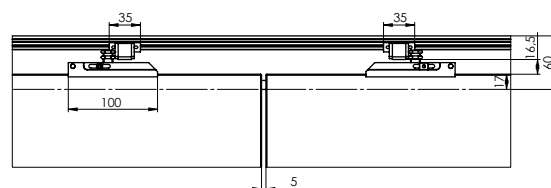
door damper single door



end stop single door



door damper double door



end stop double door

ceiling rail 60/30 mm

art.no. 9.08.83

two-piece ceiling rail in alu u-profile 60/30 mm

art.no. 9.08.92

set door damper in alu u-profile 60/30 mm

art.no. 9.08.91

set end stop in alu u-profile 60/30 mm