

# assembly instructions

stainless steel swinging door fitting with offset pivot point  
astec b.500

27.09.2018

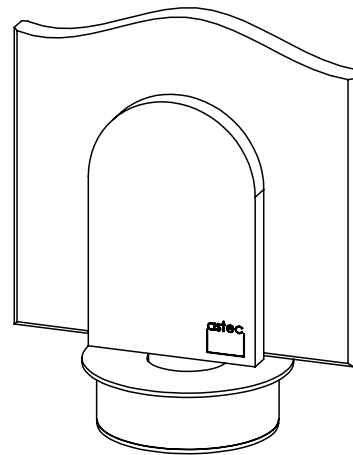
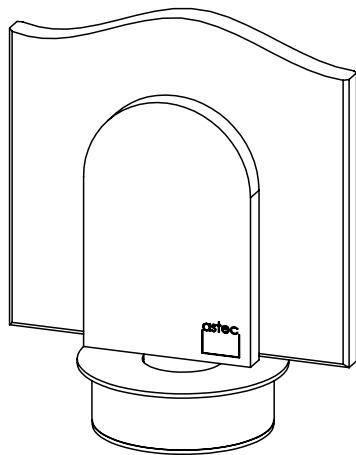
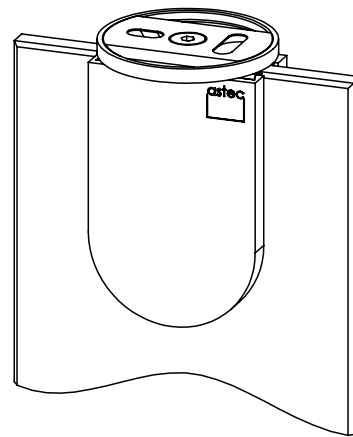
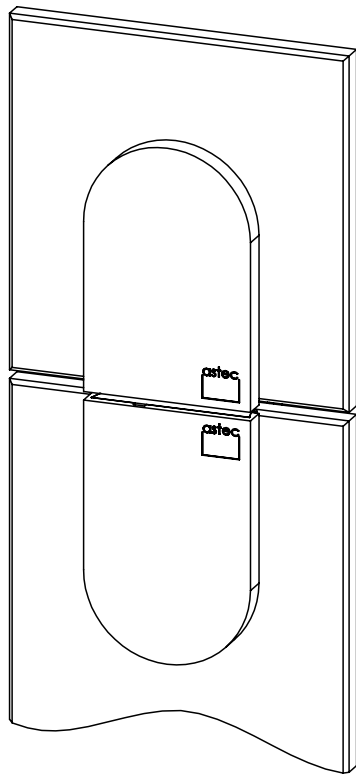
- step 1** make sure that all parts needed for installation have been supplied and are available. in addition to a drill, a core drill with a 65 mm working diameter (for floor retainer embedded), 4 and 5 mm allen keys as well as torx screw driver are required.
- step 2 a) floor retainer embedded**  
using the core drill, drill a hole for the floor bearing in the base. make sure that the top edge of the floor bearing is flush with the finished floor. fix the floor retainer with the supplied screws to the floor.
- b) floor retainer salient**  
fix the floor retainer with the supplied screws on the floor.
- c) floor closer**  
if using a floor closer, replace standard spindle with supplied precision spindle. screw cover plate for floor closer onto floor closer with corresponding countersunk screws.
- step 3 ceiling retainer**  
mark holes for the mounting plate of the ceiling retainer. pay attention to the accurate vertical alignment of the centre of the mounting plate to the centre of the floor retainer. screw the pivot pin of the ceiling bearing into the set screw. fix the mounting plate with supplied screws. screw cover onto mounting plate.
- step 4 clamp retainer**  
prepare the clamp retainers for the appropriate glass thickness by using the correct washers. supplied are washers with 0.5 and 1.5 mm. mount the lower clamp retainer to the door leaf. initially, the hinge half with the glass cut-out as well as the clamping plate is sufficient. attach the upper hinge half with the glass cut-out to the locating bolt of the ceiling retainer before setting the door leaf in the door opening. guide the lower hinge onto the locating bolt of the floor retainer and then tilt the door sideways into the upper hinge half while simultaneously positioning the glass cut-out of the upper clamp retainer. secure the door leaf by fixing the upper clamping plate.
- step 5 align height of floor retainer**
- 5.1 loosen the inner set screw for securing the height adjustment by screwing it all the way down.
  - 5.2 by turning the height alignment on the hexagonal bolt up or down with the included adjustment tool, the height of the floor retainer can be adjusted.
  - 5.3 for a permanent fixture, it is absolutely essential to lock the height alignment using the inner set screw after adjusting the height. this requires screwing the inner set screw all the way up.
  - 5.4 select cover and place it.
- step 6 vernier adjustment of door leaf**  
loosen the clamping plates somewhat for fine adjustment of the door leaf. align the door leaf so the gap is even. make sure that the washers and pvc sleeves are placed between glass and metal. **the gap** between the edge of the glass and the glass cut-out **must be filled completely**. after re-clamping, the hinge covers can be pushed over the clamping plates. locking elements automatically safeguard the hinge covers from falling out.

**avoid drilling dust, use suction appliances. stainless steel surfaces are susceptible. work with care. once installation is completed, clean the surfaces with a stainless steel protective spray.**

# assembly instructions

stainless steel swinging door fitting with offset pivot point  
astec b.500

27.09.2018



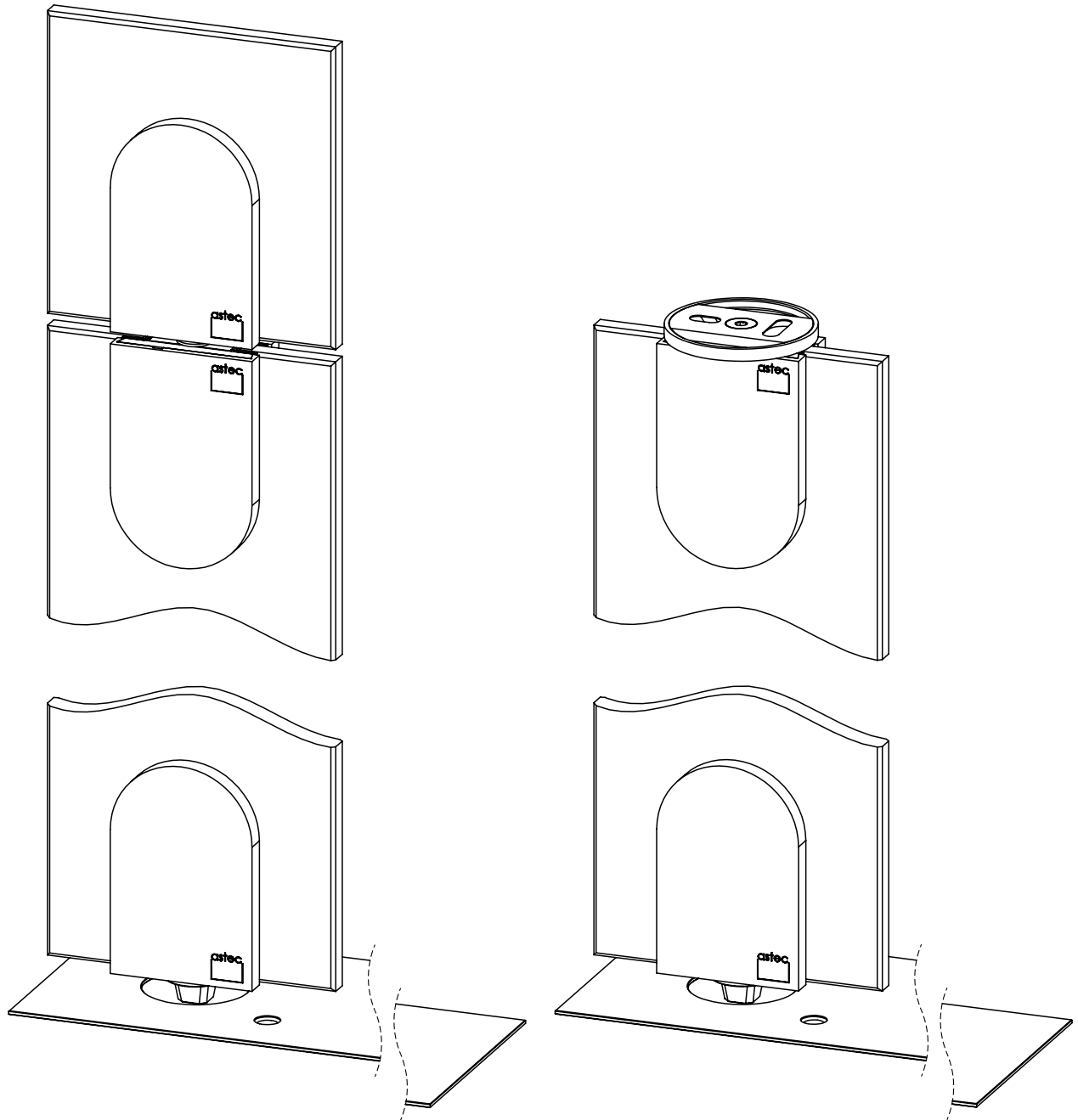
**5.90.24 b.500 set for floor retainer  
and skylight**

**5.90.21 b.500 set for floor and  
ceiling retainer**

# assembly instructions

stainless steel swinging door fitting with offset pivot point  
astec b.500

27.09.2018



**5.90.25** b.500 set for dorma floor  
closer and skylight

**5.90.22** b.500 set for dorma floor  
closer and ceiling retainer

**5.90.26** b.500 set for geze floor  
closer and skylight

**5.90.23** b.500 set for geze floor  
closer and ceiling retainer

# care and maintenance details

## for stainless steel fittings

27.09.2018

design fittings made of stainless steel are made of rustproof stainless steel. the solid stainless steel V2A rustproof (material no. 1.4301) is precisely manufactured and of first class quality. especially the decorative surfaces are manufactured very extensively by grinding them and then finely brush them.

although stainless steel doesn't corrode under usual conditions in the atmosphere it is however essential to constantly maintain and care for the stainless steel products in order to maintain a nice and decorative surface as well as to ensure its hygienic features.

for regular care please use a usual stainless steel preservative spray . these sprays can be obtained from different manufacturers or can be bought in hardware stores or in specialized trade shops.

apply this cleaning agent with a soft cloth on the stainless steel surfaces and wipe off stain like oil, dirt or sweat etc. finish and polish with a dry cloth, then you can be sure to have a nice and good like stainless steel fitting for many years. please absolutely avoid any scratching, rubbing cleansers or tools.

as a matter of principle ball bearings of the rollers are sealed and life-long lubricated. wipe the polyamide rollers with a damp cloth. dust and other dirt from the air can cause coating at the rolls which results in unease running resp. blocking of the rolls. with roll fittings, the floor guides are to be cleaned regularly with a vacuum cleaner in order to clean particularly from rough dirt. small stones or other firm dirt are crashed by the runners or are pressed into the smooth polyamide or wood of the floor guide, both result in unease running or disturbing noise.

as a matter of principle, whenever runners don't run easily or cause noise, please check whether screws are fixed tight enough. please always use new tools for it, so that interior forms of screws do not get damaged, as they too, are a decorative part of the fittings. from time to time please also check whether fasteners are still tight enough and also if they are still at the correct position. likewise also the floor guide has to be checked whether it is still tight as well as the anti-lift out security.

your stainless steel fitting are grateful for being taken care of, and show this by long durability, good operation and an always nice and precious look.